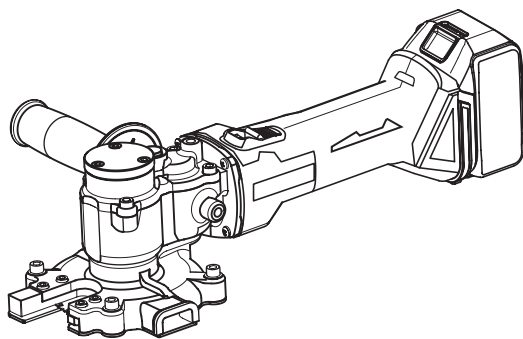


INSTRUCTION MANUAL
MANUEL D'INSTRUCTIONS
MANUAL DE INSTRUCCIONES



Cordless Steel Rod Cutter Coupe Tige Sans-Fil Cortadora de Varilla a Batería

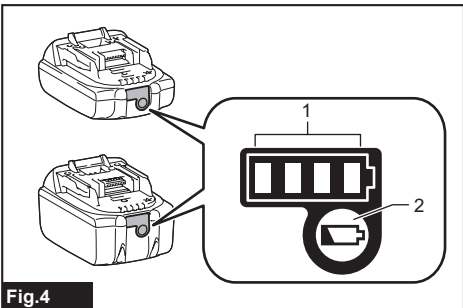
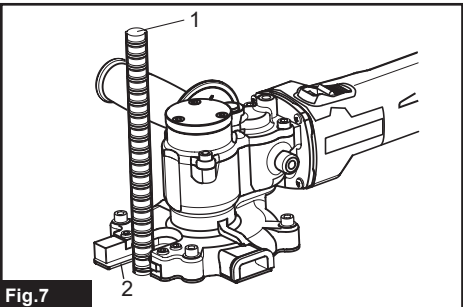
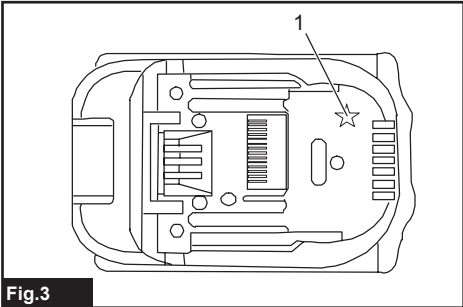
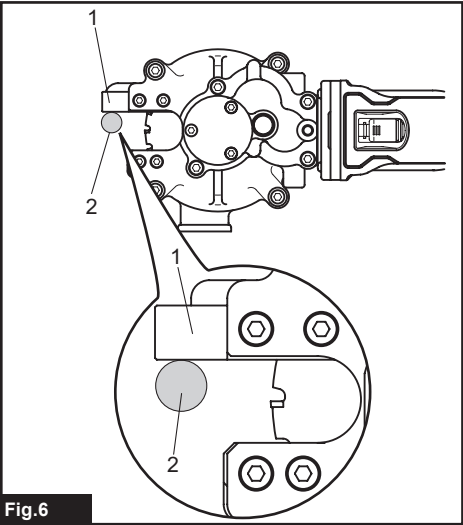
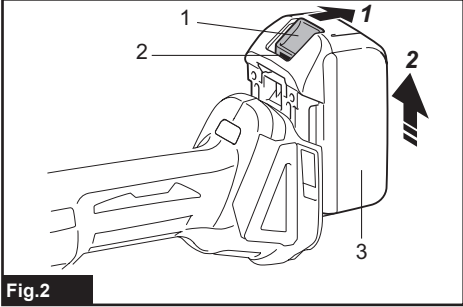
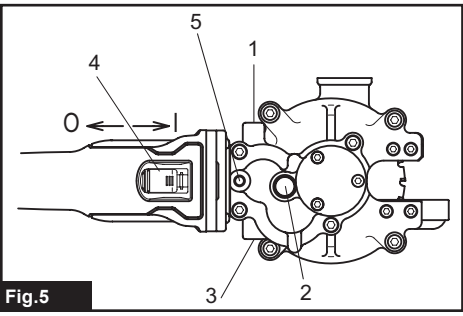
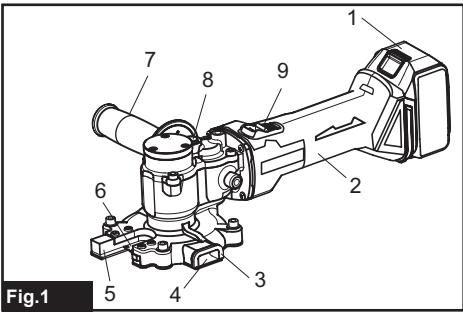
DSC251



IMPORTANT: Read Before Using.

IMPORTANT : Lire avant usage.

IMPORTANTE: Lea antes de usar.



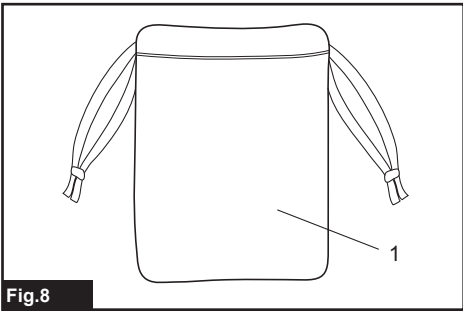


Fig.8

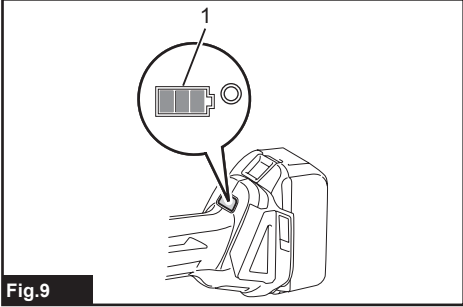


Fig.9

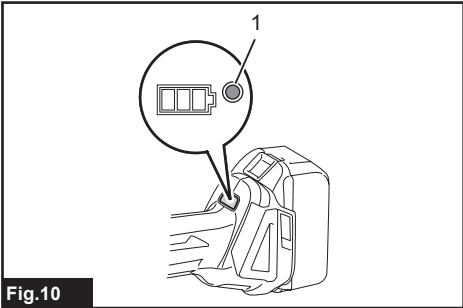


Fig.10

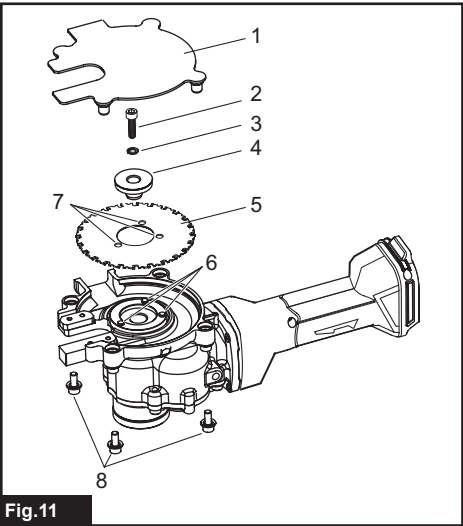


Fig.11

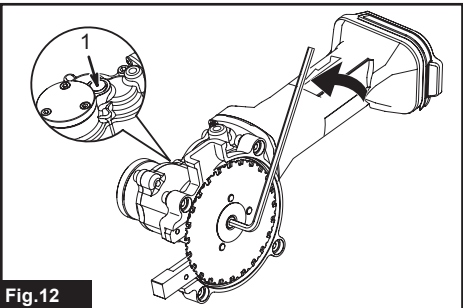


Fig.12

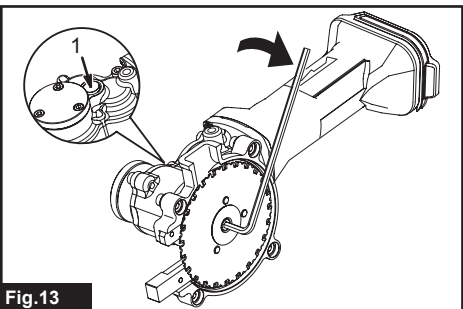
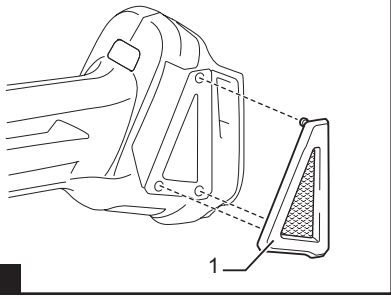


Fig.13

Fig.14



ENGLISH (Original instructions)

Before installing and operating this machine, read, understand and follow all instructions and operating procedures. Keep this Instruction Manual with the machine.

Read, understand and follow all safety instructions and operating procedures. If you do not understand the instructions, or if conditions are not correct for proper operation, DO NOT OPERATE THE MACHINE. Consult your supervisor or other responsible person.

SPECIFICATIONS

Model:	DSC251
Voltage	D.C. 18 V
Weight	4.0 kg (8.82 lbs)
Dimensions (L x W x H)	471 mm x 137 mm x 139 mm / 18-17/32" x 5-25/64" x 5-15/32" (excluding a handle)
Cutting Capacity of a rebar (620 N/mm ² / 90,000 psi)	φ10 to φ25 mm (SD490) 3/8" to 1" (Grade 60)
No load speed	2200 min ⁻¹
External Diameter of Blade	110 mm / 4.3"
Battery cartridge	BL1830B / BL1840B / BL1850B / BL1860B
Charger	DC18RC / DC18RD / DC18RE / DC18SE / DC18SF / DC18SD

- Specifications and design may be subject to change without prior notice.
- Specifications and battery cartridge may differ from country to country.
- The weight may differ depending on the attachment(s), including the battery cartridge. The lightest and heaviest combination, according to EPTA-Procedure 01/2014, are shown in the table.

WARNING



Read and understand this instruction manual before operating this machine. Failure to follow operating instructions could result in death or serious injury.

WARNING LABELS RELATED TO SAFETY



Flying debris and loud noise hazards. Wear ear and eye protection.



Moving blade. Keep hands clear while machine is operating. Turn power off before servicing.

SAVE THESE INSTRUCTIONS

Meaning of “caution” and “warning” indications

Caution: Indicates a potentially hazardous situation which, if not avoided, may result in minor or moderate injury. This is also used to alert against unsafe practices associated with events that could lead to personal injury.

Warning: Indicates a potentially hazardous situation which, if not avoided, will result in death or serious injury.

***** Makita shall not be responsible for any incidental damages or personal injuries resulting from negligence of Warnings and Safety Instructions contained in the Instruction Manual.**

IMPORTANT SAFETY INSTRUCTIONS

- The “important safety instructions” described below should always be followed to reduce the risk of a fire, electric shock, and personal injury.
- Before operating the machine, read and carefully follow these instructions.
- This manual should be retained for future reference.

WARNING

- 1. Before use, read this Instruction Manual thoroughly.**
- 2. Use only the charger and battery specified in this Instruction Manual.**
 - Any combination, except that specified in this manual, may cause injury or damage due to explosion.
- 3. Charge properly.**
 - Use this charger only with the rated AC power supply. Do not use booster transformers or vehicle generator, or use the charger to supply DC power. Incorrect use may cause overheating and fire.
 - Do not charge the battery at a temperature under 10°C (50°F) or more than 40°C (104°F) as this may cause an explosion or fire.
- 4. Do not short-circuit the pins of the battery. Avoid storing battery in a container with other metal objects such as nails, coins, etc. This may cause overheating, fire and explosion due to short-circuit.**
- 5. Guard against an electric shock.**
 - Do not touch the power plug with a wet or damp hands as this may result in an electric shock.
- 6. Consider the work area environment.**
 - Do not expose the charger and battery to rain or use them in damp or wet locations, as this may cause overheating or electric shock.
 - Keep the work area well lighted. Working where there is insufficient light may cause an accident.
 - Do not use or charge the battery where there are flammable fluids or gases, as this may cause explosion or fire.
- 7. Wear Safety Glasses and Protective Clothing**
 - Always wear eye protection, dust mask, non-skid safety shoes, helmet and any other mandated or necessary protective clothing while using this equipment. Failure to do so may result in injury.
- 8. Prevent unintentional starting.**
 - Ensure the switch is in the off-position before connecting to power source and/or battery pack, picking up or carrying the tool. Carrying power tools with your finger on the switch invites accidents.
- 9. Secure the work.**
 - Use clamps or a vice to hold the work. This frees both hands to properly hold, control, and operate the tool. Failure to properly secure the work may result in injury.
- 10. Disconnect the tools power supply, by removing the Battery and engaging the Trigger Switch Lock, whenever one of the following situations occur.**
 - The tool is not in use or is being serviced.
 - Any parts, such as a blade, are being replaced.
 - There is a recognised hazard.Failure to do so may result in accidental operation and damage or injury.
- 11. Only use the specified accessories or attachments.**
 - Use only the accessories or attachments described in this Instruction Manual and the

Makita catalog. Use of any other accessories or attachments may result in an accident or injury.

- 12. Do not expose the battery to fire as it may explode or generate poisonous substances.**
- 13. Under conditions of abuse, liquid may be ejected from the battery; avoid contact.**
 - If contact accidentally occurs, flush with clear water.
 - If liquid contacts eyes, flush with clear water and seek immediate medical help as it may result in loss of eyesight.
- 14. If operating time has reduced very significantly, stop operating immediately. There is a risk of overheating which may result in burns and even an explosion.**

CAUTION

- 1. Work area safety**
 - Keep work area clean and well lit. Cluttered or dark areas invite accidents.
- 2. Keep Children and bystanders away while operating a power tool. Distractions can cause you to lose control.**
- 3. Store idle power tools correctly.**
 - Store idle power tools out of the reach of children and do not allow persons unfamiliar with the power tool or these instructions to operate the power tool. Power tools are dangerous in the hands of untrained users.
 - Do not store the tool and battery in locations where the temperature may reach or exceed 50°C (122°F), such as a metal box or car in summer. It may shorten the battery service life or result in smoke and fire.
- 4. Do not force power tools.**
 - Use the tool at the proper speed and for which the tool was designed. Cutting too fast may result in damage to the tool or personal injury.
 - Do not use the tool in a way that could cause the motor to lock. It may result in smoke or fire.
- 5. Use the power tool for the right application.**
 - Use the power tool, its attachments and blades in accordance with these instructions, taking into account the working conditions and the work to be performed. Do not use for a big tool operation. Using for applications that are different from those intended may result in personal injury.
- 6. Dress properly.**
 - Do not wear loose clothing or jewellery. Keep your hair, clothing and gloves away from moving parts. Loose clothes, jewelry or long hair can be caught in moving parts.
 - Wear rubber gloves and non-skid safety shoes when operating a power tool outdoors. Slippery gloves or shoes may result in a personal injury.
- 7. Do not abuse a cord of charger.**
 - Never use the cord for carrying, pulling or unplugging the power tool.
 - Keep cord away from heat, oil, sharp edges or moving parts.

- Make sure a cord is located where it will not be stepped on, tripped over, or otherwise subjected to damage or stress. Damaged or entangled cords increase the risk of electric shock or fire.
8. **Do not overreach.**
 - Keep proper footing and balance at all times. This enables better control of the power tool in unexpected situations.
 9. **Maintain power tools.**
 - Keep cutting tools sharp and clean. Properly maintained cutting tools with sharp cutting edges are less likely to bind and are easier to control. Damaged blades may cause personal injury.
 - Keep handles dry, clean and free from oil and grease. Slippery handles may result in personal injury.
 - Check power cord of the charger regularly. Damaged cord will increase risk of electric shock or short circuit resulting in fire.
 10. **Remove any adjusting key or wrench before turning the power tool on.**
 - A wrench or key left attached to a rotating part of the power tool may result in personal injury.
 11. **When charging outdoors, use a cabytre cable or a cabytre extension cord.**
 - Use only the accessories or attachments described in this Instruction Manual and the Makita catalog. Use of any other accessories or attachments may result in an accident or injury.
 12. **Stay alert, watch what you are doing and use common sense when operating a power tool.**
 - Do not use a power tool while you are tired or under the influence of drugs, alcohol or medication. A moment of inattention while operating power tools may result in serious personal injury.
 13. **Check for damaged parts before use.**
 - Check safety covers and other parts that may affect the tools function for breakage or damage. If damaged, replace or repair before use.
 - Check for misalignment or binding of moving parts, breakage of parts and any other condition that may affect the power tool's operation. If damaged, have the power tool repaired before use. Many accidents are caused by poorly maintained power tools.
 - Do not use damaged extension cord. If damaged replace it before use. Use of damaged extension cord will increase risk of electric shock or short circuit resulting in fire.
 - Do not use the charger if the power cord or power plug is damaged or if it is dropped or it is damaged in any way. A damaged charger will increase risk of electric shock or short circuit resulting in fire.
 - Do not use a power tool if the switch doesn't turn it on and off. Any power tool that cannot be controlled with the switch is dangerous and must be repaired.
 - Follow instructions for lubricating and changing accessories.
 - Disconnect the battery from the power tool before making any adjustment or changing accessories. Such preventive safety measures reduce the risk of starting the power tool accidentally.
 14. **Have your power tool serviced by a qualified repair person using only identical replacement parts. This will ensure that the safety of the power tool is maintained.**
 - Do not disassemble or modify the battery and charger.
 - This power tool is designed in conformity with safety regulations. Do not modify a power tool.
 - Have your power tool serviced if it overheats or if any other unusual symptoms are observed.
 - Do not permit an unqualified person to repair the tool as this may compromise the tool safety and result in accident and personal injury.
 15. **Do not operate power tools in explosive atmospheres, such as in the presence of flammable liquids, gases or dust.** Power tools create sparks which may ignite the dust or fumes.
- ### Electrical Safety
1. **Power tool plugs must match the outlet. Never modify the plug in any way. Do not use any adapter plugs with earthed (grounded) power tools.** Unmodified plugs and matching outlets will reduce risk of electric shock.
 2. **Avoid body contact with earthed or grounded surfaces such as pipes, radiators, ranges and refrigerators.** There is an increased risk of electric shock if your body is earthed or grounded.
 3. **Do not expose power tools to rain or wet conditions.** Water entering a power tool will increase the risk of electric shock.
 4. **Do not abuse the cord. Never use the cord for carrying, pulling or unplugging the power tool. Keep cord away from heat, oil, sharp edges or moving parts.** Damaged or entangled cords increase the risk of electric shock.
 5. **When operating a power tool outdoors, use an extension cord suitable for outdoor use.** Use of a cord suitable for outdoor use reduces the risk of electric shock.
 6. **If operating a power tool in a damp location is unavoidable, use a residual current device (RCD) protected supply.** Use of an RCD reduces the risk of electric shock.
- ### Personal Safety
1. **Use personal protective equipment. Always wear eye protection.** Protective equipment such as dust mask, non-skid safety shoes, hard hat, or hearing protection used for appropriate conditions will reduce personal injuries.
 2. **If devices are provided for the connection of dust extraction and collection facilities, ensure these are connected and properly used.** Use of dust collection can reduce dust-related hazards.
- ### Power tool use and care
1. **Do not force the power tool. Use the correct power tool for your application.** The correct power tool will do the job better and safer at the rate for which it was designed.
 2. **Do not use the power tool if the switch does not turn it on and off.** Any power tool that cannot be controlled with the switch is dangerous and must be repaired.

3. **Disconnect the plug from the power source and/or the battery pack from the power tool before making any adjustments, changing accessories, or storing power tools.** Such preventive safety measures reduce the risk of starting the power tool accidentally.
4. **Use the power tool, accessories and tool bits etc. in accordance with these instructions, taking into account the working conditions and the work to be performed.** Use of the power tool for operations different from those intended could result in a hazardous situation.
7. Do not charge the battery on paper, cardboard, cloth, cushions, mats, carpets, vinyl or in the presence of dust. This may cause fire.
8. Do not expose the Charger to water or metal items that can short out the charging terminals.
9. Do not use charger for any other purpose than charging the battery.
10. Make sure tipped saw blades have no chips or cracks before using the tool.
11. Do not use water or cutting oil when cutting.
12. Use only Makita genuine tipped saw.
13. Do not leave the tool on the floor with switch locked on. The tool will run continuously and it may cause personal injury.
14. Do not operate the tool close to flammable and fragile items or personnel not necessary to the operation. During cutting hot debris and sparks will be ejected from the tool which may cause damage to the surroundings, fire or personal injury.
15. Do not cut concrete. It causes damage to the tool and may result in personal injury.
16. Check for the presence of people on the ground during operation in an elevated place. Any materials or tools dropped may cause an accident.
17. If during charging, there is an abnormal generation of heat, stop charging immediately by disconnecting the battery. Continuing charging may cause smoke, fire or explosion.
18. Do not allow anything to cover or clog the motor vents.

Battery tool use and care

1. **Recharge only with the charger specified by the manufacturer.** A charger that is suitable for one type of battery pack may create a risk of fire when used with another battery pack.
2. **Use power tools only with specifically designated battery packs.** Use of any other battery packs may create a risk of injury and fire.
3. **When battery pack is not in use, keep it away from other metal objects, like paper clips, coins, keys, nails, screws or other small metal objects, that can make a connection from one terminal to another.** Shorting the battery terminals together may cause burns or a fire.
4. **Under abusive conditions, liquid may be ejected from the battery; avoid contact. If contact accidentally occurs, flush with water. If liquid contacts eyes, additionally seek medical help.** Liquid ejected from the battery may cause irritation or burns.

CAUTION

1. **Hold the tool securely while it is in use.**
 - If the tool is not held securely, you may be injured.
2. **Keep your hands and face away from the moving parts.**
 - They may cause an injury.
3. **Release the Switch immediately to stop operation when the tool is out of order or makes an abnormal sound during use.**

Have it inspected and repaired by an authorized service center.

 - Failure to do so may result in damage or injury.
4. **If you drop or strike the tool, check carefully that the body is not damaged, cracked, or deformed.**
 - Any such damage could cause injury.
5. **Do not short the battery. A battery short can cause a large current flow, overheating, possible burns and even a breakdown.**
 - Do not touch the terminals with any conductive materials.
 - Avoid storing battery in a container with other metal objects such as nails, coins, etc.
 - Do not expose battery to water or rain.
 - Do not cut the cord.
6. Do not operate the tool or charge the battery in explosive atmospheres, such as in the presence of lacquer, paint, benzine, thinner, gasoline, gasses or adhesive. This may cause an explosion or fire.

19. When using an extension cord with the charger, it is recommended to use a cord with the cross section below and with a length as short as possible. For charging outdoors, use a cord rated for outdoor use.

Relation between usable cord thickness and maximum length

Cord size (Nominal cross sectional area of conductor)	Maximum cord length
0.75 mm ²	20 m
1.25 mm ²	30 m

WARNING FOR USING TIPPED SAW

Work area safety

1. Ensure the Dust Bag is fixed correctly. Without the Dust Bag, when Tipped Saw Blades are damaged, pieces of the blades fly off and can cause serious personal injury.
2. Keep bystanders away from operations. Even with the Dust Bag fitted, damaged blades or hot debris can fly out of the bag, resulting in serious personal injury.
3. Sparking may occur when cutting with Tipped Saw Blades. Do not use the tool where there is the risk of fire or explosion.

- Cutting with Tipped Saw Blades is noisy. Consider the work area environment.

Dress and protective equipment

- Wear protective equipment; safety glasses, safety shoes, dust mask and helmet. Even with the Dust Bag fitted, damaged blades or hot debris can fly out of the cover, resulting in personal injury.
- Dress properly. Do not wear a tie, loose clothing or knit gloves. Keep hair covered with a hair cover or a cap to be away from rotating blades.

Before use

- Ensure that Tipped Saw Blades are not deformed, chipped, cracked or worn-out. Do not use a Tipped Saw if any damage or wear is found. Cutting under such conditions may cause further damage to the blades and serious personal injury.
- Do not use the Tipped Saw for any application other than that stated in the tool specification. Using the Tipped Saw for other applications can cause excessive wear, detachment of blades, low cutting performance and abnormal generation of heat, resulting in damage to the blades and serious personal injury.

Tipped saw replacement

- When replacing the Tipped Saw, ensure that the battery is removed from the tool to prevent accidental operation and personal injury.
- Ensure there is no one in the surroundings before operation and no abnormal sounds or abnormal vibrations occur when operating. Operating with abnormal sounds or abnormal vibrations can damage the blades resulting in serious personal injury.

During operation

- Do not use the Tipped Saw for any purpose other than cutting. Do not subject the blades to damage or stress. It can break the blades resulting in serious personal injury.
- Hold the material firmly, in a vice or similar, so that it cannot move when cutting. If the material moves, the operation becomes unstable and cannot be controlled, resulting in damage to the blades and possible serious personal injury.
- Start cutting only after the Tipped Saw has reached maximum speed. If the Tipped Saw is set against the material before the motor is started, the blades will be overloaded and damaged, resulting in possible serious personal injury.
- Do not cut in zigzags, curves, diagonals, or use the side of the blade to prise or for any other purpose.
- If during cutting, there is an abnormal sound, abnormal vibration, or if the cutting parts are badly worn, stop operation.
Continuing the operation under such conditions will damage the Tipped Saw blades with the result that chips may be ejected causing serious personal injury.
- Continuous operation makes the Tipped Saw blades hot and reduces the cutting performances.

Maintenance

- If there is deformation, a crack or damage on the Tipped Saw, stop the operation. Continuing the operation under such conditions will further

damage the Tipped Saw which may break up. Ejected broken parts can cause serious personal injury.

- Only keep and use Tipped Saws that are in good condition and the blades sharp and clean.

⚠WARNING: Always wear protective equipment; safety glasses, safety shoes, dust mask and helmet.

⚠WARNING: Use only Makita supplied Tipped Saw. Using non Makita parts may damage the tool and can result in serious accident or injury.

Important safety instructions for battery cartridge

- Before using battery cartridge, read all instructions and cautionary markings on (1) battery charger, (2) battery, and (3) product using battery.**
- Do not disassemble battery cartridge.**
- If operating time has become excessively shorter, stop operating immediately. It may result in a risk of overheating, possible burns and even an explosion.**
- If electrolyte gets into your eyes, rinse them out with clear water and seek medical attention right away. It may result in loss of your eyesight.**
- Do not short the battery cartridge:**
 - Do not touch the terminals with any conductive material.**
 - Avoid storing battery cartridge in a container with other metal objects such as nails, coins, etc.**
 - Do not expose battery cartridge to water or rain.**
- A battery short can cause a large current flow, overheating, possible burns and even a breakdown.**
- Do not store the tool and battery cartridge in locations where the temperature may reach or exceed 50 °C (122 °F).**
- Do not incinerate the battery cartridge even if it is severely damaged or is completely worn out. The battery cartridge can explode in a fire.**
- Be careful not to drop or strike battery.**
- Do not use a damaged battery.**
- The contained lithium-ion batteries are subject to the Dangerous Goods Legislation requirements.**

For commercial transports e.g. by third parties, forwarding agents, special requirement on packaging and labeling must be observed.

For preparation of the item being shipped, consulting an expert for hazardous material is required. Please also observe possibly more detailed national regulations.

Tape or mask off open contacts and pack up the battery in such a manner that it cannot move around in the packaging.

- Follow your local regulations relating to disposal of battery.**

SAVE THESE INSTRUCTIONS.

CAUTION: Only use genuine Makita batteries. Use of non-genuine Makita batteries, or batteries that have been altered, may result in the battery bursting causing fires, personal injury and damage. It will also void the Makita warranty for the Makita tool and charger.

CAUTION: Always install the battery cartridge fully until the red indicator cannot be seen. If not, it may accidentally fall out of the tool, causing injury to you or someone around you.

CAUTION: Do not install the battery cartridge forcibly. If the cartridge does not slide in easily, it is not being inserted correctly.

Tips for maintaining maximum battery life

1. Charge the battery cartridge before completely discharged. Always stop tool operation and charge the battery cartridge when you notice less tool power.
2. Never recharge a fully charged battery cartridge. Overcharging shortens the battery service life.
3. Charge the battery cartridge with room temperature at 10 °C - 40 °C (50 °F - 104 °F). Let a hot battery cartridge cool down before charging it.
4. Charge the battery cartridge if you do not use it for a long period (more than six months).

PART NAMES

- Fig.1: 1. Battery 2. Motor 3. Dust Bag Holder
4. Outlet 5. Guide 6. Tipped Saw 7. Handle
8. Lock Button 9. Switch

Installing or removing battery cartridge

CAUTION: Always be sure that the tool is switched off and the battery cartridge is removed before adjusting or checking function on the tool.

CAUTION: Always switch off the tool before installing or removing of the battery cartridge.

CAUTION: Hold the tool and the battery cartridge firmly when installing or removing battery cartridge. Failure to hold the tool and the battery cartridge firmly may cause them to slip off your hands and result in damage to the tool and battery cartridge and a personal injury.

- Fig.2: 1. Button 2. Red indicator 3. Battery cartridge

To remove the battery cartridge, slide it from the tool while sliding the button on the front of the cartridge.

To install the battery cartridge, align the tongue on the battery cartridge with the groove in the housing and slip it into place. Insert it all the way until it locks in place with a little click. If you can see the red indicator on the upper side of the button, it is not locked completely.

Battery protection system (Lithium-ion battery with star marking)

- Fig.3: 1. Star marking

Lithium-ion batteries with a star marking are equipped with a protection system. This system automatically cuts off power to the tool to extend battery life. The tool will automatically stop during operation if the tool and/or battery are placed under one of the following conditions:

Overloaded:

The tool is operated in a manner that causes it to draw an abnormally high current. In this situation, release the trigger switch on the tool and stop the application that caused the tool to become overloaded. Then pull the trigger switch again to restart. If the tool does not start, the battery is overheated. In this situation, let the battery cool before pulling the trigger switch again.

Low battery voltage:

The remaining battery capacity is too low and the tool will not operate. In this situation, remove and recharge the battery.

Indicating the remaining battery capacity

Only for battery cartridges with the indicator

- Fig.4: 1. Indicator lamps 2. Check button

Press the check button on the battery cartridge to indicate the remaining battery capacity. The indicator lamps light up for a few seconds.

Indicator lamps			Remaining capacity
Lighted	Off	Blinking	
■ ■ ■ ■			75% to 100%
■ ■ ■	□		50% to 75%
■ ■	□ □		25% to 50%
■	□ □ □		0% to 25%
▣	□ □ □		Charge the battery.
■ ■ □ □			The battery may have malfunctioned.
□ □ ■ ■			

NOTE: Depending on the conditions of use and the ambient temperature, the indication may differ slightly from the actual capacity.

OPERATING PROCEDURE

⚠ WARNING: Before the battery is inserted into the tool, ensure that the Switch is at the “O” position and the Switch is off.

⚠ CAUTION: Push the Lock Button and ensure that the Button comes up when it is released. If the Lock Button will not come up when it is released, the Tipped Saw will be prevented from rotating when the tool is operated resulting in damage to parts and the motor to burn out.

⚠ CAUTION: Slide the Switch to the “I” position and ensure it stays there and does not move. Then push down on the rear of the Switch to ensure that the Switch moves to the “O” position automatically.

⚠ CAUTION: Ensure that the bolts retaining the Tipped Saw Cover and all other bolts are tightened firmly.

- **Fig.5:** 1. Handle Position (parallel / left side) 2. Lock Button 3. Handle Position (parallel / right side) 4. Switch 5. Handle Position (vertical / upper side)

Operation

- **Fig.6:** 1. Guide 2. Rebar
► **Fig.7:** 1. Rebar 2. Guide

1. Screw the Handle into threaded hole at the vertical or parallel position for easier operation.
2. Ensure that the Switch is at “O” position.

⚠ CAUTION: As a safety function of this tool, the Motor cannot be energised when the battery is inserted with the Switch at “I” position. For further safety, please note that the battery should be inserted with the Switch at “O” position.

3. Insert the battery into the tool.
4. Slide the Switch to “I” position. The motor is on. Then push down on the forward end of the Switch to lock it for operating continuously.

⚠ WARNING: Do not touch the rotating parts as they can cause serious injury.

5. Position the Guide in the opening against the rebar.
Then push the tool forward slowly to start to cut the rebar.

⚠ CAUTION: When cutting, both at the beginning and near the end, slow down the tool’s forward (cutting) movement. A fast cutting action, at these times, will damage the Tipped Saw blades and can cause injury from flying debris.

⚠ CAUTION: Hold the tool firmly so that it does not shake when cutting. Cutting with the tool shaking will shorten the life of the Tipped Saw and damage the blades.

⚠ CAUTION: Position the tool so it is at 90 degrees to rebar to be cut. If the tool is not at 90 degrees to the rebar, it can cause shaking and overload the tool.

⚠ CAUTION: Do not start cutting immediately after the motor is switched on. Allow the Tipped Saw to reach full speed before beginning to cut.

⚠ CAUTION: Do not remove the battery when the motor is switched on. Doing so can cause damage to the motor’s electronics.

6. After finishing the cut, push down on the rear end of the Switch which will cause the Switch to move to the “O” position and turn off the motor.

⚠ CAUTION: This tool is designed to cut rebar. Please contact the manufacturer or your local dealer if you want to cut other materials. Cutting other materials will damage the Tipped Saw blades.

Caution when cutting

1. Ensure that the Tipped Saw blade is well away from the material to be cut before switching on.
2. Slow down the forward (cutting) movement of the tool when approaching the end of the cut. This is especially important when the piece to be cut is less than 50 mm in length. The piece cut off can strike the Tipped Saw blades, damaging them and cause serious injury.
3. When the Tipped Saw blades become blunt or chipped. replace the blade. Continuing to use it in this condition will overload the tool.
4. If the material moves or shakes, when being cut, stop the operation and properly secure the material.
5. Do not hold by hand the material to be cut. Doing so may result in personal injury.
6. Do not cut rebar that in size or hardness exceeds the cutting capacity of the tool.

Replace the Tipped Saw when any of the below occurs

1. Warning Lamp (red) blinks frequently even though the battery is fully charged.
2. The Tipped Saw blades are chipped or worn.
3. The cutting speed is very slow.
4. The surface of the cut piece is discolored by heat.

NOTE: Tipped Saw blades cannot be resharpened.

How to fit the Dust Bag

► Fig.8: 1. Dust Bag

1. Place the open end of the Dust Bag over the Dust Bag Holder and secure in place with the draw strings.
2. Give the bag a sharp tug to ensure it is properly secured.



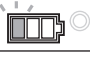

⚠ CAUTION: The Dust Bag is made from non-flammable material but very hot debris, such as that produced when cutting with a worn Tipped Saw blade, can melt the material. Be aware of this possibility when using the Dust Bag.

Battery Indicator function

► Fig.9: 1. Battery Indicator

When you turn the tool on, the battery indicator shows the remaining battery capacity. (see table 1)

Table 1



Battery indicator status	Remaining battery capacity
█:On □:Off ◐:Blinking	
	50 %-100 %
	20 %-50 %
	0 %-20 %
	Charge the battery

Automatic speed change function

► Fig.10: 1. Mode Indicator

The tool has 'high speed mode' and 'high torque mode'. It will select the operating mode automatically, according to the work load. When the mode indicator lights up during operation, the tool is in high torque mode. (see table 2)

Table 2

Mode indicator status	Operation mode
	High speed mode
	High torque mode

Tool / battery protection function

The tool will automatically stop during operation if the tool or battery is placed under one of the following conditions:

- The tool is overloaded
- The tool overheats
- The battery capacity is not enough

If the tool is repeatedly operated under these conditions, the protection system will lock the tool.


Overload protection

If the tool is overloaded during cutting, it will automatically stop. In this situation, turn the tool off and remove the cause of the overload then restart the tool.

Protection lock

When the protection system works repeatedly, the tool will lock and the battery indicator shows the state as table 3.

Table 3


Battery indicator	█:On □:Off ◐:Blinking
	Protection lock works

Overheat protection for tool

When the tool is overheated, the tool stops automatically and the battery indicator shows the state as table 4.

In this situation, let the tool cool before turning the tool on again.

Table 4

Battery indicator	█:On □:Off ◐:Blinking
	Tool is overheated

Overdischarge protection

When the battery capacity is not enough, the tool stops automatically. In this case, remove the battery from the tool and charge the battery.

TIPPED SAW REPLACEMENT PROCEDURE

⚠ WARNING: Switch off the tool and remove the battery before replacing the blade, to prevent accidental operation resulting in serious personal injury.

- Fig.11: 1. Tipped Saw Cover 2. Bolt 3. Washer
4. Tipped Saw Guide 5. Tipped Saw 6. Pin
7. Hole 8. Tipped Saw Cover Retaining Bolt

How to remove the Tipped Saw

Remove the Tipped Saw

- Fig.12: 1. Push (Lock Button)

1. Remove the Tipped Saw Cover Retaining Bolts (4 pieces) with a hexagonal wrench.
2. Remove the Tipped Saw Cover.
3. Insert a hexagonal wrench into the bolt retaining the Tipped Saw Guide.
4. Push in the Lock Button and using the hexagonal wrench as a handle, rotate the Tipped Saw blade until it is prevented from further rotation by the Lock Button.

⚠ CAUTION: Ensure that the Lock Button is completely pushed in. If not, the hexagonal wrench can rotate and may cause personal injury.

5. With the Tipped Saw locked, turn the hexagonal wrench counterclockwise to loosen and remove the bolt and washer.
6. Remove the Tipped Saw Guide and the Tipped Saw.

How to replace the Tipped Saw

⚠ CAUTION: Use only Makita supplied Tipped Saw. If reusing a Tipped Saw, ensure it is not worn, chipped or damaged.

⚠ CAUTION: Use only a Tipped Saw with three holes which fit the pins on the output shaft of the tool. Other type of saws cannot be used.

⚠ CAUTION: Install a Tipped Saw in the correct direction. If incorrect, the three pins do not fit the hole properly.

⚠ CAUTION: Clean and remove all debris and dirt from the Tipped Saw and parts. Debris and dirt can unbalance the Tipped Saw making it wobble during cutting.

Replace the Tipped Saw

► Fig.13: 1. Push (Lock Button)

1. Fit the Tipped Saw over the Output Shaft. Make sure that the three pins on the Output Shaft fit in the holes on the Tipped Saw.
2. Replace the Tipped Saw Guide.
3. Replace the Bolt and Washer.
4. Push in the Lock Button completely to prevent the Tipped Saw rotating and tighten the Bolt with the hexagonal wrench.

⚠ CAUTION: Ensure that the Lock Button is completely pushed in. If not, the hexagonal wrench can rotate and may cause personal injury.

5. Replace the Tipped Saw Cover.
6. Tighten the Tipped Saw Cover Retaining Bolts (4 pieces) with a hexagonal wrench.

MAINTENANCE

⚠ CAUTION: Always ensure that the tool is switched off and the battery is removed before attempting to perform inspection or maintenance.

NOTICE: Never use gasoline, benzine, thinner, alcohol or the like. Discoloration, deformation or cracks may result.

► Fig.14: 1. Dust Cover

Remove the Dust Cover from the air vent and clean it for proper air circulation.

⚠ CAUTION: Clean the Dust Cover when it becomes clogged. Continuing operation with a clogged dust cover may damage the tool.

MAKITA LIMITED WARRANTY

Please refer to the annexed warranty sheet for the most current warranty terms applicable to this product. If annexed warranty sheet is not available, refer to the warranty details set forth at below website for your respective country.

United States of America: www.makitatools.com

Canada: www.makita.ca

Other countries: www.makita.com

FRANÇAIS (Mode d'emploi original)

Avant d'installer et d'utiliser cette machine, veuillez lire, comprendre et suivre toutes les instructions et procédures d'utilisation. Conservez ce Manuel d'instructions avec la machine.

Veuillez lire, comprendre et suivre toutes les consignes de sécurité et procédures d'utilisation. Si vous ne comprenez pas les instructions, ou si les conditions ne se prêtent pas à une utilisation adéquate, N'UTILISEZ PAS CETTE MACHINE. Consultez votre superviseur ou autre personne responsable.

SPÉCIFICATIONS

Modèle :	DSC251
Tension	C.C. 18 V
Poids	4,0 kg (8,82 lb)
Dimensions (L x P x H)	471 mm x 137 mm x 139 mm / 18-17/32" x 5-25/64" x 5-15/32" (sans la poignée)
Capacité de coupe d'une barre d'armature (620 N/mm ² / 90 000 psi)	φ10 à φ25 mm (SD490) 3/8" à 1" (Grade 60)
Vitesse à vide	2200 /min
Diamètre extérieur de la lame	110 mm / 4,3"
Batterie	BL1830B / BL1840B / BL1850B / BL1860B
Chargeur	DC18RC / DC18RD / DC18RE / DC18SE / DC18SF / DC18SD

- Les spécifications et le design peuvent être modifiés sans préavis.
- Les spécifications et la batterie peuvent varier suivant les pays.
- Le poids peut varier suivant les accessoires, y compris la batterie. La combinaison la plus légère et la combinaison la plus lourde, selon la procédure EPTA 01/2014, sont indiquées dans le tableau.

MISE EN GARDE



Veuillez lire et comprendre ce manuel d'instructions avant d'utiliser cette machine. Le non-respect des instructions d'utilisation peut entraîner le décès ou une blessure grave.

ÉTIQUETTES DE MISE EN GARDE CONCERNANT LA SÉCURITÉ



Risques de projection de débris et de bruit intense. Portez des protecteurs auditifs et oculaires.



Lame en mouvement. Gardez les mains à l'écart pendant que la machine tourne. Coupez le contact avant de réparer.

CONSERVEZ CES INSTRUCTIONS

Signification des indications « Attention » et « Mise en garde »

Attention : Indique une situation potentiellement dangereuse qui, non évitée, peut entraîner une blessure mineure ou légère. Sert également à prévenir contre les pratiques dangereuses associées aux événements pouvant entraîner une blessure.

Mise en garde : Indique une situation potentiellement dangereuse qui, non évitée, causera le décès ou une blessure grave.

***** Makita ne sera responsable d'aucun dommage accessoire ou blessure résultant du non-respect des Mises en garde et des Consignes de sécurité de ce Manuel d'instructions.**

IMPORTANTES CONSIGNES DE SÉCURITÉ

- Les « importantes consignes de sécurité » décrites ci-dessous doivent toujours être respectées pour réduire le risque d'incendie, de choc électrique et de blessure.
- Veuillez lire ces instructions avant d'utiliser la machine, et les suivre attentivement.
- Ce manuel doit être conservé pour consultation ultérieure.

⚠ MISE EN GARDE

- 1. Avant l'utilisation, veuillez lire tout ce Manuel d'instructions.**
- 2. Utilisez exclusivement le chargeur et la batterie spécifiés dans ce Manuel d'instructions.**
 - Toute autre combinaison que celle spécifiée dans ce manuel peut causer une blessure ou des dommages consécutifs d'une explosion.
- 3. Chargez correctement.**
 - Utilisez ce chargeur uniquement avec une source d'alimentation C.A. de la puissance nominale spécifiée. N'utilisez pas de transformateur élévateur de tension ou de générateur électrique monté sur véhicule, et n'utilisez pas le chargeur pour fournir le courant continu. Une utilisation inadéquate peut causer une surchauffe et un incendie.
 - Ne chargez pas la batterie à une température inférieure à 10 °C (50 °F) ou supérieure à 40 °C (104 °F), car cela peut causer une explosion ou un incendie.
- 4. Ne court-circuitez pas les broches de la batterie. Évitez de ranger la batterie dans un contenant avec d'autres objets métalliques tels que clous, pièces de monnaie, etc. Cela peut causer une surchauffe, un incendie et une explosion consécutive d'un court-circuit.**
- 5. Prenez garde aux chocs électriques.**
 - Ne touchez pas la fiche d'alimentation avec les mains mouillées ou humides, car cela peut entraîner un choc électrique.
- 6. Tenez compte de l'environnement de la zone de travail.**
 - N'exposez pas le chargeur et la batterie à la pluie, et ne les utilisez pas dans les emplacements humides ou mouillés, car cela peut causer la surchauffe ou un choc électrique.
 - Gardez la zone de travail bien éclairée. Travailler dans un emplacement insuffisamment éclairé peut causer un accident.
 - N'utilisez pas et ne chargez pas la batterie en présence de fluides ou gaz inflammables, car cela peut causer une explosion ou un incendie.
- 7. Portez des lunettes de sécurité et des vêtements de protection.**
 - Portez toujours un protecteur oculaire, un masque anti-poussière, des chaussures de sécurité à semelle antidérapante, un casque et tout autre vêtement de protection obligatoire ou nécessaire

lorsque vous utilisez cet équipement. Autrement, il y a risque de blessure.

- 8. Prévenez le démarrage accidentel.**
 - Assurez-vous que l'interrupteur est en position d'arrêt avant de connecter la source d'alimentation et/ou le bloc-piles, de saisir l'outil ou de le transporter. En transportant les outils électriques avec le doigt sur l'interrupteur, vous ouvrez grande la porte aux accidents.
- 9. Fixez la pièce à travailler.**
 - Utilisez des dispositifs de serrage ou un étou pour retenir la pièce à travailler. Vous aurez ainsi les deux mains libres pour bien tenir, maîtriser et manier l'outil. Si la pièce à travailler n'est pas bien fixée, elle risque d'entraîner une blessure.
- 10. Chaque fois que l'une ou l'autre des situations suivantes se présente, déconnectez et coupez l'alimentation des outils en retirant la batterie et en engageant le verrou d'interrupteur.**
 - L'outil n'est pas utilisé ou est en cours de réparation.
 - Des pièces, telles qu'une lame, sont en cours de remplacement.
 - Il y a un danger reconnu.

Autrement, cela peut entraîner une fausse manœuvre et des dommages ou une blessure.
- 11. Utilisez exclusivement les accessoires ou pièces spécifiés.**
 - Utilisez exclusivement les accessoires ou pièces décrits dans ce Manuel d'instructions et dans le catalogue Makita. L'utilisation de tout autre accessoire ou pièce peut entraîner un accident ou une blessure.
- 12. N'exposez pas la batterie au feu, car elle peut exploser et générer des substances toxiques.**
- 13. Dans des conditions d'utilisation abusives, il peut y avoir fuite d'électrolyte; évitez tout contact avec ce liquide.**
 - En cas de contact accidentel, rincez avec de l'eau claire.
 - Si le liquide entre en contact avec les yeux, rincez-les à l'eau claire et consultez immédiatement un médecin, car il y a risque de perte de la vue.
- 14. Si le temps de fonctionnement a très sensiblement diminué, cessez immédiatement l'utilisation. Il y a risque de surchauffe pouvant entraîner des brûlures, voire une explosion.**

⚠ ATTENTION

- 1. Sécurité de la zone de travail**
 - Gardez la zone de travail propre et bien éclairée. Les zones de travail encombrées ou sombres ouvrent grande la porte aux accidents.
- 2. Assurez-vous qu'aucun enfant ou curieux ne s'approche pendant que vous utilisez un outil électrique. Vous risquez d'en perdre la maîtrise si votre attention est détournée.**
- 3. Après l'utilisation des outils électriques, rangez-les adéquatement.**

- Après l'utilisation des outils électriques, rangez-les hors de la portée des enfants, et ne laissez aucune personne les utiliser si elle n'est pas familiarisée avec l'outil électrique ou les présentes instructions d'utilisation. Les outils électriques représentent un danger entre les mains de personnes qui n'en connaissent pas le mode d'utilisation.
 - Ne rangez pas l'outil et la batterie dans les emplacements où la température peut atteindre ou dépasser 50 °C (122 °F), comme dans une boîte de métal ou une voiture en été.
Cela peut raccourcir la durée de service de la batterie ou entraîner de la fumée et un incendie.
- 4. Ne forcez pas les outils électriques.**
- Utilisez l'outil à la bonne vitesse et pour effectuer les travaux pour lesquels il a été conçu. Couper trop vite peut entraîner des dommages sur l'outil ou une blessure.
 - N'utilisez pas l'outil d'une façon qui peut causer le verrouillage du moteur. Cela peut entraîner de la fumée ou un incendie.
- 5. Utilisez l'outil électrique pour la bonne application.**
- Utilisez l'outil électrique, ses pièces et ses lames en respectant les présentes instructions, en tenant compte des conditions de travail et du type de travail à effectuer. Ne l'utilisez pas pour les travaux qui exigent l'utilisation d'un gros outil. L'utilisation pour des applications différentes de celles prévues peut entraîner une blessure.
- 6. Portez des vêtements adéquats.**
- Ne portez ni vêtements amples ni bijoux. Gardez vos cheveux, vêtements et gants à l'écart des pièces mobiles. Les pièces mobiles peuvent happer les vêtements amples, les bijoux et les cheveux longs.
 - Portez des gants de caoutchouc et des chaussures de sécurité à semelle antidérapante lorsque vous utilisez un outil électrique à l'extérieur. Des chaussures ou gants glissants peuvent entraîner une blessure.
- 7. Ne maltraitez pas le cordon du chargeur.**
- N'utilisez jamais le cordon pour transporter, tirer ou débrancher l'outil électrique.
 - Maintenez le cordon à l'écart des sources de chaleur, de l'huile, des objets à bords tranchants et des pièces mobiles.
 - Assurez-vous que le cordon est placé là où personne ne marchera dessus et ne trébuchera contre, et qu'il n'est exposé à aucun dommage ou tension. Le risque de choc électrique ou d'incendie est plus élevé lorsque les cordons sont endommagés ou enchevêtrés.
- 8. Ne tendez pas trop les bras.**
- Maintenez en tout temps une bonne prise au sol et un bon équilibre. Cela vous permettra d'avoir une meilleure maîtrise de l'outil électrique dans les situations imprévues.
- 9. Veillez à l'entretien des outils électriques.**
- Maintenez les outils tranchants bien aiguisés et propres. Les outils tranchants dont l'entretien est effectué correctement et dont les bords sont bien aiguisés risqueront moins de se coincer et seront plus faciles à maîtriser. Les lames endommagées peuvent causer une blessure.
 - Maintenez des poignées sèches, propres et exemptes d'huile et de graisse. Les poignées glissantes peuvent entraîner une blessure.
 - Vérifiez régulièrement le cordon d'alimentation du chargeur. Un cordon endommagé accroîtra le risque de choc électrique ou le risque qu'un court-circuit n'entraîne un incendie.
- 10. Retirez toute clé de réglage ou de serrage avant de mettre l'outil électrique en marche.**
- Toute clé laissée en place sur une pièce rotative de l'outil électrique peut entraîner une blessure.
- 11. Lorsque vous effectuez la charge à l'extérieur, utilisez un cordon ou cordon prolongateur sous gaine de caoutchouc.**
- Utilisez exclusivement les accessoires ou pièces décrits dans ce Manuel d'instructions et dans le catalogue Makita. L'utilisation de tout autre accessoire ou pièce peut entraîner un accident ou une blessure.
- 12. Restez alerte, attentif à vos mouvements et faites preuve de bon sens lorsque vous utilisez un outil électrique.**
- Évitez d'utiliser un outil électrique si vous êtes fatigué ou si vous avez pris une drogue, de l'alcool ou un médicament. Un moment d'inattention pendant l'utilisation des outils électriques peut entraîner une blessure grave.
- 13. Avant l'utilisation, vérifiez s'il y a des pièces endommagées.**
- Assurez-vous que les couvercles de sécurité et autres pièces pouvant affecter le fonctionnement de l'outil ne sont ni cassés ni endommagés. Avant l'utilisation, remplacez ou réparez toute pièce endommagée.
 - Assurez-vous que les pièces mobiles ne sont pas désalignées ou entravées, qu'aucune pièce n'est cassée et que l'outil électrique n'a subi aucun dommage affectant son bon fonctionnement. S'il est endommagé, faites réparer l'outil électrique avant de l'utiliser. De nombreux accidents sont causés par des outils électriques mal entretenus.
 - N'utilisez pas un cordon prolongateur endommagé. S'il est endommagé, remplacez-le avant l'utilisation. L'utilisation d'un cordon endommagé accroîtra le risque de choc électrique ou le risque qu'un court-circuit n'entraîne un incendie.
 - N'utilisez pas le chargeur si son cordon d'alimentation ou sa fiche d'alimentation est endommagé, ou s'il a été échappé ou endommagé de quelque façon. Un chargeur endommagé accroîtra le risque de choc électrique ou le risque qu'un court-circuit n'entraîne un incendie.
 - N'utilisez pas un outil électrique s'il n'est pas possible de l'allumer et de l'éteindre avec son interrupteur. Un outil électrique dont l'interrupteur est défectueux représente un danger et doit être réparé.
 - Suivez les instructions de lubrification et de remplacement des accessoires.

Avant d'effectuer tout réglage ou de remplacer les accessoires, déconnectez la batterie de l'outil électrique. De telles mesures préventives réduisent les risques de démarrage accidentel de l'outil électrique.

14. La réparation de l'outil électrique doit être confiée à un réparateur qualifié et n'utilisant que des pièces de rechange identiques aux pièces d'origine. Cela assurera le maintien de l'outil électrique dans un état sécuritaire.

Ne démontez pas et ne modifiez pas la batterie et le chargeur.

Cet outil électrique est conçu conformément aux règlements de sécurité. Ne modifiez pas un outil électrique.

Faites réparer votre outil électrique s'il surchauffe ou présente tout autre symptôme inhabituel.

Ne laissez aucune personne non qualifiée réparer cet outil, car cela peut rendre l'outil dangereux et entraîner un accident et une blessure.

15. N'utilisez pas les outils électriques dans les atmosphères explosives, par exemple en présence de liquides, gaz ou poussières inflammables. Les outils électriques produisent des étincelles au contact desquelles la poussière ou les vapeurs peuvent s'enflammer.

Sécurité en matière d'électricité

1. Les fiches d'outil électrique sont conçues pour s'adapter parfaitement aux prises de courant. Ne modifiez jamais la fiche de quelque façon que ce soit. N'utilisez aucun adaptateur de fiche sur les outils électriques avec mise à la terre. En ne modifiant pas les fiches et en les insérant dans des prises de courant pour lesquelles elles ont été conçues, vous réduirez les risques de choc électrique.

2. Évitez tout contact corporel avec les surfaces mises à la terre, telles que tuyaux, radiateurs, cuisinières et réfrigérateurs. Le risque de choc électrique est plus élevé si votre corps se trouve mis à la terre.

3. N'exposez pas les outils électriques à la pluie ou à l'eau. La présence d'eau dans un outil électrique augmente le risque de choc électrique.

4. Ne maltraitez pas le cordon. N'utilisez jamais le cordon pour transporter, tirer ou débrancher l'outil électrique.

Maintenez le cordon à l'écart des sources de chaleur, de l'huile, des objets à bords tranchants et des pièces en mouvement. Le risque de choc électrique est plus élevé lorsque les cordons sont endommagés ou enchevêtrés.

5. Lorsque vous utilisez un outil électrique à l'extérieur, utilisez un cordon prolongateur conçu pour l'usage extérieur. Les risques de choc électrique est moindre lorsqu'un cordon conçu pour l'usage extérieur est utilisé.

6. Si vous devez utiliser un outil électrique dans un endroit humide, utilisez une source d'alimentation protégée par un disjoncteur de fuite à la terre. L'utilisation d'un disjoncteur de fuite à la terre réduit le risque de choc électrique.

Sécurité personnelle

1. Portez des dispositifs de protection personnelle. Portez toujours une protection oculaire.

Les risques de blessure seront moins élevés si vous utilisez des dispositifs de protection tels qu'un masque anti-poussière, des chaussures à semelle antidérapante, une coiffure résistante ou une protection d'oreilles.

2. Si des accessoires sont fournis pour raccorder un appareil d'aspiration et de collecte de la poussière, assurez-vous qu'ils sont correctement raccordés et qu'ils sont utilisés de manière adéquate.

L'utilisation d'un appareil de collecte permet de réduire les risques liés à la présence de poussière dans l'air.

Utilisation et entretien des outils électriques

1. Ne forcez pas l'outil électrique. Utilisez l'outil électrique adéquat suivant le type de travail à effectuer.

Si vous utilisez l'outil électrique adéquat et respectez le régime pour lequel il a été conçu, il effectuera un travail de meilleure qualité et plus sécuritaire.

2. N'utilisez pas l'outil électrique s'il n'est pas possible de l'allumer et de l'éteindre avec son interrupteur.

Un outil électrique dont l'interrupteur est défectueux représente un danger et doit être réparé.

3. Débranchez la fiche de la source d'alimentation et/ou retirez le bloc-piles de l'outil électrique avant d'effectuer tout réglage, de remplacer un accessoire ou de ranger l'outil électrique.

De telles mesures préventives réduisent les risques de démarrage accidentel de l'outil électrique.

4. Utilisez l'outil électrique, ses accessoires, ses embouts, etc., en respectant les présentes instructions, en tenant compte des conditions de travail et du type de travail à effectuer.

L'utilisation d'un outil électrique pour d'autres usages que ceux prévus peut entraîner une situation dangereuse.

Utilisation et entretien des outils alimentés par batterie

1. Pour recharger, utilisez uniquement le chargeur spécifié par le fabricant.

L'utilisation d'un chargeur conçu pour un type donné de bloc-piles comporte un risque d'incendie lorsqu'il est utilisé avec un autre type de bloc-piles.

2. N'utilisez un outil électrique qu'avec le bloc-piles conçu spécifiquement pour cet outil.

Il y a un risque de blessure ou d'incendie si un autre bloc-piles est utilisé.

3. Lorsque vous n'utilisez pas le bloc-piles, rangez-le à l'écart des objets métalliques tels que trombones, pièces de monnaie, clés, clous, vis ou autres petits objets métalliques qui risqueraient d'établir une connexion entre les bornes.

La mise en court-circuit des bornes de batterie peut causer des brûlures ou un incendie.

4. **Dans des conditions d'utilisation inadéquates de la batterie, il peut y avoir fuite d'électrolyte; évitez tout contact avec ce liquide. En cas de contact accidentel, rincez avec beaucoup d'eau. Si le liquide pénètre dans vos yeux, il faut aussi consulter un médecin.** L'électrolyte qui s'échappe de la batterie peut causer des irritations ou des brûlures.

⚠ ATTENTION

1. **Tenez l'outil fermement pendant l'utilisation.**
 - En ne tenant pas l'outil fermement, vous risqueriez de vous blesser.
2. **Gardez mains et visage à l'écart des pièces mobiles.**
 - Elles peuvent causer une blessure.
3. **Si l'outil ne fonctionne pas bien ou émet un bruit anormal pendant l'utilisation, libérez immédiatement l'interrupteur pour arrêter le travail en cours.**

Faites-le inspecter et réparer par un centre de service agréé.

 - Autrement, il y a un risque de dommage ou de blessure.
4. **Si vous échappez ou heurtez l'outil, vérifiez soigneusement l'absence de dommages, fissures ou déformations sur le corps de l'outil.**
 - Tout dommage pourrait causer une blessure.
5. **Ne court-circuitez pas la batterie. Un court-circuit de la batterie pourrait provoquer un fort courant, une surchauffe, parfois des brûlures et même une panne.**
 - Ne touchez les bornes avec aucun matériau conducteur.
 - Évitez de ranger la batterie dans un contenant avec d'autres objets métalliques tels que clous, pièces de monnaie, etc.
 - N'exposez pas la batterie à l'eau ou à la pluie.
 - Ne coupez pas le cordon.
6. **N'utilisez pas l'outil et ne chargez pas la batterie dans les atmosphères explosives, comme en présence de laque, peinture, benzine, diluant, essence, gaz ou adhésif.** Cela peut causer une explosion ou un incendie.
7. **Ne chargez pas la batterie sur du papier, du carton, du tissu, un coussin, un matelas, un tapis, du vinyle ou en présence de poussière.** Cela peut causer un incendie.
8. **N'exposez pas le chargeur à l'eau ou à des objets métalliques qui peuvent court-circuiter les bornes de charge.**
9. **N'utilisez le chargeur à aucune autre fin que pour charger la batterie.**
10. **Avant d'utiliser l'outil, assurez-vous qu'il n'y a ni ébréchantures ni fissures sur les lames de scie à pointes.**
11. **Lorsque vous coupez, n'utilisez ni eau ni huile de coupe.**
12. **Utilisez exclusivement une scie à pointes Makita d'origine.**
13. **Ne laissez pas l'outil sur le plancher avec l'interrupteur verrouillé.** L'outil tournera de manière continue et peut causer une blessure.

14. **N'utilisez pas l'outil près d'objets inflammables ou fragiles, ou de personnes non nécessaires à l'exécution du travail.** Pendant la coupe, des débris chauds et des étincelles seront éjectés de l'outil et peuvent causer des dommages aux environs, ou bien causer un incendie ou une blessure.
15. **Ne coupez pas le béton.** Cela endommagerait l'outil et peut entraîner une blessure.
16. **Lorsque vous travaillez dans un emplacement élevé, vérifiez s'il y a des gens au sol.** Tout matériel ou outil échappé peut causer un accident.
17. **Si une chaleur anormale est générée pendant la charge, cessez immédiatement la charge en déconnectant la batterie.** Poursuivre la charge peut causer de la fumée, un incendie ou une explosion.
18. **Ne laissez rien recouvrir ou bloquer les orifices d'aération du moteur.** Cela peut faire surchauffer le moteur.
19. **Lorsque vous utilisez un cordon prolongateur avec ce chargeur, il est recommandé d'utiliser un cordon dont la section transversale est telle qu'indiquée ci-dessous, et le plus court possible.** Pour effectuer la charge à l'extérieur, utilisez un cordon conçu pour l'usage extérieur.

Relation entre l'épaisseur et la longueur maximale de cordon utilisable

Taille du cordon (Partie de section transversale nominale du conducteur)	Longueur maximale du cordon
0,75 mm ²	20 m
1,25 mm ²	30 m

MISE EN GARDE POUR L'UTILISATION DE LA SCIE À POINTES

Sécurité de la zone de travail

1. **Assurez-vous que le sac à poussières est bien fixé.** Sans le sac à poussières, lorsque les lames de scie à pointes sont endommagées, des éclats de lame sont éjectés et peuvent causer une blessure grave.
2. **Ne laissez pas approcher les curieux pendant que vous effectuez le travail.** Même avec le sac à poussières posé, des éclats de lame endommagée ou des débris chauds peuvent être éjectés hors du sac et entraîner une blessure grave.
3. **Il peut y avoir des étincelles pendant la coupe avec les lames de scie à pointes.** N'utilisez pas l'outil là où il y a un risque d'incendie ou d'explosion.
4. **La coupe au moyen de lames de scie à pointes est bruyante.** Tenez compte de l'environnement de la zone de travail.

Vêtements et équipement de protection

5. Portez un équipement de protection : lunettes de sécurité, chaussures de sécurité, masque anti-poussière et casque. Même avec le sac à poussières posé, des éclats de lame endommagée ou des débris chauds peuvent être éjectés hors du couvercle et entraîner une blessure.
6. Portez des vêtements adéquats. Ne portez pas de cravate, de vêtements amples ou de gants en tricot. Gardez les cheveux à l'écart des lames en rotation en les recouvrant d'un filet de protection ou d'une casquette.

Avant l'utilisation

7. Assurez-vous que les lames de scie à pointes ne sont pas déformées, ébréchées, fissurées ou usées. N'utilisez pas une scie à pointes si elle présente tout dommage ou usure. Couper dans de telles conditions peut causer des dommages supplémentaires sur les lames et causer une blessure grave.
8. N'utilisez la scie à pointes pour aucune autre application que celle mentionnée dans les spécifications de l'outil. Utiliser la scie à pointes pour d'autres applications peut causer une usure excessive, faire tomber les lames, causer une coupe de qualité médiocre, générer une chaleur anormale, endommager les lames et causer une blessure grave.

Remplacement de la scie à pointes

9. Lorsque vous remplacez la scie à pointes, assurez-vous que la batterie est retirée de l'outil pour prévenir la mise en marche accidentelle et une blessure.
10. Assurez-vous qu'il n'y a personne aux environs avant l'utilisation, et qu'il n'y a pas de sons anormaux ou de vibrations anormales pendant l'utilisation. L'utilisation avec des sons anormaux ou des vibrations anormales peut endommager les lames et entraîner une blessure grave.

Pendant l'utilisation

11. N'utilisez la scie à pointes à aucune autre fin que le travail de coupe. N'exposez pas les lames à des dommages ou à une tension. Cela peut casser les lames et entraîner une blessure grave.
12. Immobilisez fermement la pièce, dans un étau ou dispositif similaire, pour qu'il ne puisse pas bouger pendant la coupe. Si la pièce bouge, l'outil sera instable et impossible à maîtriser, ce qui endommagera les lames et risque de causer une blessure grave.
13. Ne commencez la coupe qu'une fois que la scie à pointes a atteint sa vitesse maximale. Si la scie à pointes est placée contre le matériau avant que le moteur n'ait démarré, les lames seront surchargées et endommagées, ce qui risque d'entraîner une blessure grave.
14. Ne coupez pas en zigzags, en courbes ou diagonalement, et n'utilisez pas le côté de la lame pour faire levier ou à toute autre fin.
15. Cessez l'utilisation si, pendant la coupe, il y a un son anormal, une vibration anormale ou si les parties coupées sont très abîmées.
Poursuivre l'utilisation dans ces conditions endommagera les lames de scie à pointes, ce qui

peut entraîner l'éjection de copeaux et causer une blessure grave.

16. L'utilisation continue rend les lames de scie à pointes chaudes et réduit la qualité de coupe.

Entretien

17. Cessez l'utilisation si la scie à pointes est déformée, fissurée ou endommagée. Poursuivre l'utilisation dans ces conditions endommagera davantage la scie à pointes et elle risque de se rompre. Les pièces cassées éjectées peuvent causer une blessure grave.
18. Ne conservez et n'utilisez que les lames de scie à pointes en bonne condition, et gardez-les affûtées et propres.

⚠ MISE EN GARDE : Portez toujours un équipement de protection : lunettes de sécurité, chaussures de sécurité, masque anti-poussière et casque.

⚠ MISE EN GARDE : Utilisez exclusivement la scie à pointes Makita fournie. L'utilisation de pièces autres que celles de Makita peut endommager l'outil et entraîner un accident grave ou une blessure grave.

Consignes de sécurité importantes pour la batterie

1. Avant d'utiliser la batterie, lisez toutes les instructions et les mises en garde apposées sur (1) le chargeur de batterie, (2) la batterie et (3) le produit utilisant la batterie.
2. Ne démontez pas la batterie.
3. Cessez immédiatement l'utilisation si le temps de fonctionnement devient excessivement court. Il y a risque de surchauffe, de brûlures, voire d'explosion.
4. Si l'électrolyte pénètre dans vos yeux, rincez-les à l'eau claire et consultez immédiatement un médecin. Il y a risque de perte de la vue.
5. Ne court-circuitez pas la batterie :
 - (1) Ne touchez les bornes avec aucun matériau conducteur.
 - (2) Évitez de ranger la batterie dans le même contenant que d'autres objets métalliques tels que clous, pièces de monnaie, etc.
 - (3) N'exposez pas la batterie à l'eau ou à la pluie.Un court-circuit de la batterie pourrait provoquer un fort courant, une surchauffe, parfois des brûlures et même une panne.
6. Ne rangez pas l'outil ou la batterie dans des emplacements où la température peut atteindre ou dépasser 50 °C (122 °F).
7. Ne jetez pas la batterie au feu même si elle est sérieusement endommagée ou complètement épuisée. La batterie peut exploser au contact du feu.
8. Prenez garde d'échapper ou de heurter la batterie.

9. **N'utilisez pas une batterie si elle est endommagée.**
10. **Les batteries lithium-ion fournies sont soumises aux exigences de la législation sur les marchandises dangereuses.**
Des exigences particulières sur l'emballage et l'étiquetage doivent être respectées lors du transport commercial par des tiers, des transitaires, etc. Pour préparer la marchandise à expédier, consultez un expert en matériaux dangereux si nécessaire.
Respectez aussi les éventuelles réglementations nationales plus détaillées.
Recouvrez de ruban isolant les contacts exposés, et emballez la batterie de sorte qu'elle ne puisse pas se déplacer à l'intérieur de l'emballage.
11. **Suivez la réglementation locale concernant l'élimination de la batterie.**

CONSERVEZ CES INSTRUCTIONS.

⚠ ATTENTION : Utilisez exclusivement les batteries fabriquées par Makita. Les batteries autres que celles fabriquées par Makita ou les batteries modifiées peuvent exploser et causer un incendie, une blessure ou des dommages. Cela annule aussi la garantie Makita de l'outil et du chargeur Makita.

Conseils pour maintenir la durée de service maximale de la batterie

1. **Rechargez la batterie avant qu'elle ne soit complètement déchargée. Arrêtez toujours l'outil et rechargez la batterie quand vous remarquez que la puissance de l'outil diminue.**
2. **Ne rechargez jamais une batterie complètement chargée. La surcharge réduit la durée de service de la batterie.**
3. **Chargez la batterie à une température ambiante comprise entre 10 °C et 40 °C (50 °F et 104 °F). Si la batterie est chaude, laissez-la refroidir avant de la charger.**
4. **Chargez la batterie si elle est restée inutilisée pendant une période prolongée (plus de six mois).**

NOMS DES PIÈCES

- **Fig. 1 :** 1. Batterie 2. Moteur 3. Support de sac à poussières 4. Prise 5. Guide 6. Scie à pointes 7. Poignée 8. Bouton de verrouillage 9. Interrupteur

Installation ou retrait de la batterie

⚠ ATTENTION : Assurez-vous toujours que l'outil est éteint et que sa batterie est retirée avant de l'ajuster ou de vérifier son fonctionnement.

⚠ ATTENTION : Éteignez toujours l'outil avant d'installer ou de retirer la batterie.

⚠ ATTENTION : Tenez fermement l'outil et la batterie lors de l'installation ou du retrait de cette dernière. Si l'outil et la batterie ne sont pas tenus fermement, ils risquent de vous glisser des mains et de subir des dommages, ou encore de vous blesser.

- **Fig. 2 :** 1. Bouton 2. Voyant rouge 3. Batterie

Pour retirer la batterie, faites-la glisser hors de l'outil tout en glissant le bouton qui se trouve à l'avant.

Pour installer la batterie, alignez sa languette sur la rainure pratiquée dans le boîtier, et glissez la batterie en place. Insérez-la à fond jusqu'à ce que vous entendiez un léger déclic. Si vous pouvez voir le voyant rouge sur le dessus du bouton, la batterie n'est pas complètement verrouillée.

⚠ ATTENTION : Installez toujours la batterie à fond jusqu'à ce que vous ne puissiez plus voir le voyant rouge. Autrement elle risque de tomber accidentellement de l'outil et d'entraîner des blessures.

⚠ ATTENTION : Ne forcez pas sur la batterie pour l'installer. Si la batterie ne glisse pas facilement, c'est qu'elle n'est pas insérée correctement.

Dispositif de protection de la batterie (batterie lithium-ion marquée d'une étoile)

- **Fig. 3 :** 1. Marque étoilée

Les batteries lithium-ion marquées d'une étoile sont équipées d'un dispositif de protection. Ce dispositif coupe automatiquement le courant sur l'outil pour prolonger la durée de service de la batterie. L'outil s'arrête automatiquement si l'outil et/ou la batterie se trouve dans l'une ou l'autre des situations suivantes :

Surchargé :

L'outil est utilisé d'une manière entraînant une consommation anormale de courant. Le cas échéant, libérez l'interrupteur de l'outil et cessez l'application qui cause une surcharge de l'outil. Tirez de nouveau sur l'interrupteur pour redémarrer. Si l'outil ne démarre pas, c'est que la batterie est surchauffée. Le cas échéant, laissez refroidir la batterie avant de tirer de nouveau sur l'interrupteur.

Faible tension de la batterie :

La charge restante de la batterie est trop basse et l'outil ne fonctionne pas. Le cas échéant, retirez et rechargez la batterie.

Affichage de la charge restante de la batterie

Uniquement pour les batteries avec voyant

► Fig. 4 : 1. Témoins indicateurs 2. Bouton de vérification

Appuyez sur le bouton de vérification de la batterie pour afficher la charge restante de la batterie. Les témoins indicateurs s'allument pendant quelques secondes.

Témoins indicateurs			Charge restante
Allumé	Éteint	Clignotant	
			75 % à 100 %
			50 % à 75 %
			25 % à 50 %
			0 % à 25 %
			Chargez la batterie.
			La batterie a peut-être mal fonctionné.

NOTE : Suivant les conditions d'utilisation et la température ambiante, il se peut que l'indication soit légèrement différente de la charge réelle.

PROCÉDURE D'UTILISATION

⚠ MISE EN GARDE : Avant d'insérer la batterie dans l'outil, assurez-vous que l'interrupteur est sur la position « O » et qu'il est désactivé.

⚠ ATTENTION : Enfoncez le bouton de verrouillage et assurez-vous qu'il remonte lorsque vous le libérez. Si le bouton de verrouillage ne remonte pas lorsque vous le libérez, la scie à pointes ne pourra pas tourner pendant l'utilisation de l'outil, ce qui endommagera les pièces et brûlera le moteur.

⚠ ATTENTION : Glissez l'interrupteur sur la position « I » et assurez-vous qu'il y reste et ne bouge pas. Enfoncez ensuite l'arrière de l'interrupteur pour vous assurer que l'interrupteur se déplace automatiquement vers la position « O ».

⚠ ATTENTION : Assurez-vous que les boulons qui retiennent le couvercle de scie à pointes et tous les autres boulons sont fermement serrés.

► Fig. 5 : 1. Position de la poignée (parallèle / côté gauche) 2. Bouton de verrouillage 3. Position de la poignée (parallèle / côté droit) 4. Interrupteur 5. Position de la poignée (verticale / côté supérieur)

Utilisation

► Fig. 6 : 1. Guide 2. Barre d'armature

► Fig. 7 : 1. Barre d'armature 2. Guide

1. Vissez la poignée dans le trou fileté sur la position verticale ou parallèle pour faciliter l'utilisation.
2. Assurez-vous que l'interrupteur est sur la position « O ».

⚠ ATTENTION : La fonction de sécurité de cet outil empêche l'alimentation du moteur lorsque la batterie est insérée alors que l'interrupteur est sur la position « I ». Pour plus de sécurité, notez que la batterie doit être insérée alors que l'interrupteur est sur la position « O ».

3. Insérez la batterie dans l'outil.
4. Glissez l'interrupteur sur la position « I ». Le moteur est allumé. Enfoncez ensuite l'extrémité avant de l'interrupteur pour le verrouiller en mode de fonctionnement continu.

⚠ MISE EN GARDE : Ne touchez pas les pièces en rotation, car elles peuvent causer une blessure grave.

5. Placez le guide dans l'ouverture contre la barre d'armature.

Poussez ensuite l'outil lentement vers l'avant pour commencer à couper la barre d'armature.

⚠ ATTENTION : Au début et vers la fin de la coupe, ralentissez le mouvement (la coupe) de l'outil vers l'avant. Une action de coupe rapide, à ces moments, endommagera les lames de scie à pointes et les débris projetés peuvent causer une blessure.

⚠ ATTENTION : Tenez l'outil fermement, de sorte qu'il ne tremble pas pendant la coupe. Couper avec un outil tremblant raccourcira la durée de service de la scie à pointes et endommagera les lames.

⚠ ATTENTION : Placez l'outil sur un angle de 90 degrés par rapport à la barre d'armature à couper. Si l'outil n'est pas à 90 degrés par rapport à la barre d'armature, il peut causer du tremblement et être soumis à une surcharge.

⚠ ATTENTION : Ne commencez pas la coupe immédiatement après avoir mis en marche le moteur. Laissez la scie à pointes atteindre sa pleine vitesse avant de commencer la coupe.

⚠ ATTENTION : Ne retirez pas la batterie pendant que le moteur est en marche. Cela peut endommager les circuits électroniques du moteur.

6. Une fois la coupe terminée, enfoncez l'extrémité arrière de l'interrupteur pour le déplacer sur la position « O » et couper le moteur.

ATTENTION : Cet outil est conçu pour couper les barres d'armature. Si vous souhaitez couper d'autres matériaux, contactez le fabricant ou votre détaillant local. Couper d'autres matériaux endommagera les lames de scie à pointes.

Attention lors de la coupe

- Avant de mettre le contact, assurez-vous que la lame de scie à pointes est bien éloignée du matériau à couper.
- Ralentissez le mouvement (la coupe) de l'outil vers l'avant lorsque vous approchez de la fin de la coupe. Cela est tout particulièrement important lorsque la pièce à couper est moins longue que 50 mm. La pièce découpée, en heurtant les lames de scie à pointes, peut les endommager et causer une blessure grave.
- Remplacez les lames de scie à pointes lorsqu'elles sont émoussées ou ébréchées. Poursuivre l'utilisation dans ces conditions surchargera l'outil.
- Si le matériau bouge ou tremble pendant la coupe, cessez l'utilisation et fixez correctement le matériau.
- Ne tenez pas dans vos mains le matériel à couper. Cela peut entraîner une blessure.
- Ne coupez pas de barres d'armature dont la taille ou la dureté dépasse la capacité de coupe de l'outil.

Remplacez la scie à pointes lorsque l'une ou l'autre des situations ci-dessous se présente

- Le voyant de mise en garde (rouge) clignote souvent même si la batterie est complètement chargée.
- Les lames de scie à pointes sont ébréchées ou usées.
- La vitesse de coupe est très lente.
- La surface de la pièce coupée est décolorée par la chaleur.

NOTE : Il n'est pas possible de réaffûter les lames de scie à pointes.

Comment poser le sac à poussières

► **Fig. 8** : 1. Sac à poussières

- Mettez l'extrémité ouverte du sac à poussières par-dessus le support de sac à poussières, et fixez-le en place à l'aide des cordons.
- Tirez fermement sur le sac pour vous assurer qu'il est bien fixé.

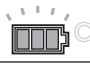
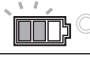


ATTENTION : Le matériau de ce sac à poussières est ininflammable, mais les débris très chauds, tels que ceux produits lors de la coupe avec une lame de scie à pointes usée, peuvent le faire fondre. Soyez conscient de cette possibilité lorsque vous utilisez le sac à poussières.

Fonction de témoin de batterie

► **Fig. 9** : 1. Témoin de batterie

Lorsque vous mettez l'outil en marche, le témoin de batterie indique la charge restante de la batterie. (voir Tableau 1)

Tableau 1



État du témoin de batterie	Charge restante de la batterie
■ : Allumé □ : Éteint ◐ : Clignotant	
	50 %-100 %
	20 %-50 %
	0 %-20 %
	Chargez la batterie.

Fonction de changement de vitesse automatique

► **Fig. 10** : 1. Témoin de mode

L'outil possède un « mode de vitesse élevé » et un « mode de couple élevé ». Il sélectionne automatiquement le mode de fonctionnement selon la charge de travail. Lorsque le témoin de mode s'allume pendant l'utilisation, l'outil est en mode de couple élevé. (voir Tableau 2)

Tableau 2

État du témoin de mode	Mode de fonctionnement
	Mode de vitesse élevée
	Mode de couple élevé

Fonction de protection de l'outil / de la batterie

L'outil s'arrêtera automatiquement pendant l'utilisation si l'outil ou la batterie se trouve dans l'une ou l'autre des situations suivantes :

- L'outil est surchargé
- L'outil surchauffe
- La charge de la batterie est insuffisante

Si l'outil est utilisé dans ces conditions de manière répétée, le dispositif de protection le verrouillera.


Protection contre la surcharge

Si l'outil est surchargé pendant la coupe, il s'arrêtera automatiquement. Le cas échéant, éteignez l'outil, corrigez la cause de la surcharge puis redémarrez l'outil.

Verrouillage de protection

Si le dispositif de protection s'active de manière répétée, l'outil se verrouillera et le témoin de batterie indiquera l'état du Tableau 3.


Tableau 3

Témoin de batterie	<input checked="" type="checkbox"/> : Allumé <input type="checkbox"/> : Éteint <input type="checkbox"/> : Clignotant
	Le verrouillage de protection est activé.

Protection contre la surchauffe de l'outil

Lorsque l'outil est surchauffé, il s'arrête automatiquement et le témoin de batterie indique l'état du Tableau 4. Le cas échéant, laissez refroidir l'outil avant de le remettre en marche.

Tableau 4

Témoin de batterie	<input checked="" type="checkbox"/> : Allumé <input type="checkbox"/> : Éteint <input type="checkbox"/> : Clignotant
	L'outil est surchauffé.

Protection contre la décharge excessive

Lorsque la charge de la batterie est insuffisante, l'outil s'arrête automatiquement. Dans ce cas, retirez la batterie de l'outil et chargez la batterie.

PROCÉDURE DE REMPLACEMENT DE LA SCIE À POINTES

MISE EN GARDE : Éteignez l'outil et retirez la batterie avant de remplacer la lame, pour éviter que la mise en marche accidentelle n'entraîne une blessure grave.

- Fig.11 : 1. Couvercle de scie à pointes 2. Boulon 3. Rondelle 4. Guide de scie à pointes 5. Scie à pointes 6. Broche 7. Trou 8. Boulon de retenue du couvercle de scie à pointes

Comment retirer la scie à pointes

Retirez la scie à pointes

► Fig.12 : 1. Appuyez (bouton de verrouillage)

1. Retirez les boulons de retenue du couvercle de scie à pointes (4 pièces) à l'aide d'une clé hexagonale.
2. Retirez le couvercle de scie à pointes.
3. Insérez une clé hexagonale dans le boulon qui retient le guide de scie à pointes.

4. Enfoncez le bouton de verrouillage et, en utilisant la clé hexagonale en guise de poignée, tournez la lame de scie à pointes jusqu'à ce que le bouton de verrouillage l'empêche de tourner davantage.

ATTENTION : Assurez-vous que le bouton de verrouillage est complètement enfoncé. Autrement, la clé hexagonale peut tourner et causer une blessure.

5. Avec la scie à pointes verrouillée, tournez la clé hexagonale dans le sens contraire des aiguilles d'une montre pour desserrer et retirer le boulon et la rondelle.
6. Retirez le guide de scie à pointes et la scie à pointes.

Comment remplacer la scie à pointes

ATTENTION : Utilisez exclusivement la scie à pointes Makita fournie. Si vous réutilisez une scie à pointes, assurez-vous qu'elle n'est pas usée, ébréchée ou endommagée.

ATTENTION : Utilisez uniquement une scie à pointes dont les trois trous s'adaptent aux broches sur l'arbre de sortie de l'outil. Les autres types de scie ne peuvent être utilisés.

ATTENTION : Installez une scie à pointes dans le bon sens. Autrement, les trois broches ne pénétreront pas bien dans les trous.

ATTENTION : Nettoyez toutes les saletés et retirez tous les débris sur la scie à pointes et sur les pièces. Les débris et saletés peuvent déséquilibrer la scie à pointes et la faire osciller pendant la coupe.

Remplacez la scie à pointes

► Fig.13 : 1. Appuyez (bouton de verrouillage)

1. Posez la scie à pointes par-dessus l'arbre de sortie. Assurez-vous que les trois broches de l'arbre de sortie pénètrent dans les trous de la scie à pointes.
2. Remettez en place le guide de scie à pointes.
3. Remettez en place le boulon et la rondelle.
4. Enfoncez complètement le bouton de verrouillage pour empêcher la scie à pointes de tourner, et serrez le bouton à l'aide de la clé hexagonale.

ATTENTION : Assurez-vous que le bouton de verrouillage est complètement enfoncé. Autrement, la clé hexagonale peut tourner et causer une blessure.

5. Remettez en place le couvercle de scie à pointes.
6. Serrez les boulons de retenue du couvercle de scie à pointes (4 pièces) à l'aide d'une clé hexagonale.

ENTRETIEN

⚠ ATTENTION : Assurez-vous toujours que l'outil est hors tension et que la batterie est retirée avant d'effectuer tout travail d'inspection ou d'entretien de l'outil.

AVIS : N'utilisez jamais d'essence, de benzine, de solvant, d'alcool ou autres produits similaires. Une décoloration, une déformation ou la formation de fissures peuvent en découler.

► **Fig.14** : 1. Couvre-à-poussières

Retirez le couvercle à poussières de l'orifice d'aération et nettoyez-le pour assurer la circulation adéquate de l'air.

⚠ ATTENTION : Nettoyez le couvercle à poussières lorsqu'il est bouché. Poursuivre l'utilisation avec un couvercle à poussières bouché peut endommager l'outil.

GARANTIE LIMITÉE MAKITA

Pour les conditions de garantie en vigueur qui s'appliquent à ce produit, veuillez vous reporter à la feuille de garantie en annexe. Si la feuille de garantie en annexe n'est pas disponible, reportez-vous aux détails de la garantie présentés sur le site Web de votre pays, ci-dessous.

États-Unis d'Amérique: www.makitatools.com

Canada: www.makita.ca

Autres pays: www.makita.com

ESPAÑOL (Instrucciones originales)

Antes de instalar y operar esta máquina, lea, entienda y siga todas las instrucciones y procedimientos de operación. Mantenga este manual de instrucciones con la máquina.

Lea, entienda y siga todas las instrucciones de seguridad y procedimientos de operación. Si no entiende las instrucciones, o si las condiciones no son las correctas para una operación adecuada, NO UTILICE LA MÁQUINA. Consulte a su supervisor o a otra persona responsable.

ESPECIFICACIONES

Modelo:	DSC251
Voltaje	C.C. 18 V
Peso	4,0 kg (8,82 lb)
Dimensiones (L x An. x Alt.)	471 mm x 137 mm x 139 mm / 18-17/32" x 5-25/64" x 5-15/32" (excluyendo la manija)
Capacidad de cortado de una varilla (620 N/mm ² / 90.000 psi)	φ10 mm a φ25 mm (SD490) 3/8" a 1" (grado 60)
Sin velocidad de carga	2200 r/min
Diámetro externo del disco	110 mm / 4,3"
Cartucho de batería	BL1830B / BL1840B / BL1850B / BL1860B
Cargador	DC18RC / DC18RD / DC18RE / DC18SE / DC18SF / DC18SD

- Las especificaciones y el diseño pueden estar sujetos a cambios sin previo aviso.
- Las especificaciones y el cartucho de batería pueden variar de país a país.
- El peso puede variar dependiendo de los accesorios, incluyendo el cartucho de batería. Las combinaciones más ligera y más pesada, de acuerdo con el procedimiento EPTA 01/2014, son mostradas en la tabla.

ADVERTENCIA



Lea y entienda este manual de instrucciones antes de operar esta máquina. No seguir las instrucciones de operación puede resultar en lesiones graves o incluso la muerte.

ETIQUETAS DE ADVERTENCIA RELACIONADAS CON LA SEGURIDAD



Riesgos por escombros volátiles y ruidos fuertes. Use protección para los oídos y los ojos.



Disco en movimiento. Mantenga las manos alejadas mientras la máquina está en operación. Apague la máquina antes de hacerle servicio.

GUARDE ESTAS INSTRUCCIONES

Significado de las indicaciones "precaución" y "advertencia"

Precaución: Indica una situación potencialmente peligrosa que, si no se evita, puede resultar en lesiones de menores a moderadas. Esto también se usa para alertar sobre prácticas no seguras asociadas con eventos que pueden llevar a lesiones personales.

Advertencia: Indica una situación potencialmente peligrosa que, si no se evita, resultará en lesiones graves o incluso la muerte.

***** Makita no será responsable de ningún daño incidental o lesión personal que resulte de la negligencia al seguir las advertencias e instrucciones de seguridad contenidas en el manual de instrucciones.**

INSTRUCCIONES IMPORTANTES DE SEGURIDAD

- Las "instrucciones importantes de seguridad" descritas a continuación siempre deben ser seguidas para reducir el riesgo de un incendio, descarga eléctrica y lesión personal.
- Antes de operar la máquina, lea y siga cuidadosamente estas instrucciones.
- Este manual debe ser conservado para referencias futuras.

ADVERTENCIA

- 1. Antes de usar, lea este manual de instrucciones cuidadosamente.**
- 2. Utilice sólo el cargador y la batería especificados en este manual de instrucciones.**
 - Cualquier combinación que no sea la especificada en este manual puede causar lesiones o daños debidos a una explosión.
- 3. Cargue de manera adecuada.**
 - Utilice este cargador sólo con la fuente de alimentación CA calificada. No utilice transformadores elevadores ni generadores de vehículos, ni utilice el cargador para suministrar energía de CC. El uso incorrecto puede causar sobrecalentamiento y fuego.
 - No cargue la batería a una temperatura menor a 10 °C (50 °F) o mayor a 40 °C (104 °F), ya que esto puede causar una explosión o un incendio.
- 4. No haga cortocircuito en los pines de la batería. Evite guardar el cartucho de batería en un cajón junto con otros objetos metálicos, tales como clavos, monedas, etc. Esto puede causar sobrecalentamiento, fuego o una explosión debido al cortocircuito.**
- 5. Protéjase de una descarga eléctrica.**
 - No toque el enchufe con las manos mojadas o húmedas, ya que esto puede resultar en una descarga eléctrica.
- 6. Considere el entorno del área de trabajo.**
 - No exponga el cargador y la batería a la lluvia ni los use en ubicaciones húmedas o mojadas, ya que esto puede causar un sobrecalentamiento o una descarga eléctrica.
 - Mantenga el área de trabajo bien iluminada. Trabajar en un lugar en el que no hay suficiente iluminación puede causar un accidente.
 - No utilice ni cargue la batería en donde haya fluidos o gases inflamables, ya que esto puede causar una explosión o un incendio.
- 7. Utilice lentes de seguridad y ropa protectora.**
 - Siempre utilice protección para los ojos, máscara contra el polvo, zapatos de seguridad antiderrapantes, casco y otra ropa protectora obligatoria o necesaria mientras utilice este equipo. No hacerlo puede resultar en lesiones.
- 8. Evite el funcionamiento no intencional.**

Asegúrese de que el interruptor está en la posición de apagado antes de conectar a la fuente de alimentación y/o al paquete de baterías, recogiendo o cargando la herramienta. Cargar herramientas eléctricas con su dedo en el interruptor puede causar accidentes.

- 9. Asegure su área de trabajo.**
 - Utilice abrazaderas o un torno para sostener su área de trabajo. Esto libera ambas manos para sostener, controlar y operar adecuadamente la herramienta. No asegurar adecuadamente el área de trabajo puede resultar en lesiones.
- 10. Desconecte la fuente de alimentación de las herramientas al remover la batería y activar el seguro del interruptor siempre que ocurra alguna de las siguientes situaciones.**
 - La herramienta no está en uso o se le está haciendo servicio.
 - Alguna parte, tal como un disco, está siendo reemplazada.
 - Hay un peligro reconocido.
 - No hacerlo puede resultar en un accidente durante la operación y daños o lesiones.
- 11. Sólo utilice los accesorios especificados.**
 - Utilice únicamente los accesorios descritos en este manual de instrucciones y en el catálogo de Makita. El uso de cualquier otro accesorio puede resultar en un accidente o lesión.
- 12. No exponga la batería al fuego, ya que puede explotar o generar sustancias venenosas.**
- 13. En condiciones de abuso, se puede escapar líquido de la batería; evite tocarlo.**
 - Si lo toca accidentalmente, enjuague con agua limpia.
 - Si el líquido hace contacto con los ojos, enjuague con agua limpia y busque ayuda médica inmediatamente, ya que puede resultar en la pérdida de la vista.
- 14. Si el tiempo de operación se ha reducido significativamente, deje de operar de inmediato. Existe un riesgo de sobrecalentamiento, lo que puede resultar en quemaduras e incluso una explosión.**

PRECAUCIÓN

- 1. Seguridad en el área de trabajo**
 - Mantenga el área de trabajo limpia y bien iluminada. Las áreas desordenadas u oscuras son más propensas a accidentes.
- 2. Mantenga a los niños y espectadores alejados mientras se opera una herramienta eléctrica. Las distracciones pueden causar que pierda el control.**
- 3. Almacene las herramientas eléctricas que no estén en uso de manera adecuada.**
 - Almacene las herramientas eléctricas fuera del alcance de los niños y no permita que personas sin experiencia con las herramientas eléctricas o con estas instrucciones operen la herramienta. Las herramientas eléctricas son peligrosas en las manos de usuarios no capacitados.

- No almacene la herramienta y la batería en lugares en los que la temperatura puede llegar a ser de 50 °C (122 °F), como una caja de metal o un vehículo durante el verano.
Esto puede reducir la vida útil de la batería o resultar en humo e incendios.
4. **No fuerce las herramientas eléctricas.**
 - Utilice la herramienta a la velocidad adecuada y para lo que fue diseñada. Cortar demasiado rápido puede resultar en daños a la herramienta o en lesiones personales.
 - No utilice la herramienta de manera que pueda causar que el motor se bloquee. Esto puede provocar humo o fuego.
 5. **Utilice la herramienta eléctrica para la aplicación adecuada.**
 - Utilice la herramienta eléctrica, sus accesorios y discos de acuerdo con estas instrucciones, considerando las condiciones de trabajo y el trabajo a realizar. No la utilice para la operación de una herramienta grande. Utilizarla para aplicaciones que sean diferentes a aquellas para las que fue diseñada puede resultar en lesiones personales.
 6. **Utilice la ropa adecuada.**
 - No utilice ropa holgada ni joyería. Mantenga su cabello, ropa y guantes alejados de las partes que se mueven. La ropa holgada, la joyería o el cabello largo pueden quedar atrapados en las partes que se mueven.
 - Utilice guantes de plástico y zapatos de seguridad antiderrapantes al operar una herramienta eléctrica en exteriores. Los guantes o zapatos resbaladizos pueden provocar lesiones personales.
 7. **No abuse de la cuerda del cargador.**
 - Nunca utilice el cable para transportar, jalar o desconectar la herramienta eléctrica.
 - Mantenga el cable alejado del calor, aceite, objetos cortantes o piezas móviles.
 - Asegúrese de que el cable se encuentre en un lugar seguro para evitar que alguien lo pise o tropiece con él, o que de alguna manera sufra algún tipo de daño. Los cables dañados o enredados aumentan el riesgo de sufrir una descarga eléctrica o un incendio.
 8. **No se extralimite.**
 - Mantenga sus pies firmes y en equilibrio en todo momento. Esto permite tener un mejor control de la herramienta eléctrica en situaciones inesperadas.
 9. **Dé mantenimiento a las herramientas eléctricas.**
 - Mantenga las herramientas de corte afiladas y limpias. Las herramientas de corte que reciben buen mantenimiento y tienen discos bien afilados son menos propensas a atascarse y son más fáciles de controlar. Los discos dañados pueden causar lesiones personales.
 - Mantenga las manijas secas, limpias y libres de aceites y grasas. Las manijas resbaladizas pueden provocar lesiones personales.
 - Verifique el cable de alimentación del cargador con regularidad. Los cables dañados incrementan el riesgo de una descarga eléctrica o un cortocircuito que puede provocar un incendio.
 10. **Remueva cualquier llave de ajuste antes de encender la herramienta eléctrica.**
 - Una llave que se deje adjunta a una pieza giratoria de la herramienta eléctrica puede provocar lesiones personales.
 11. **Al cargar en exteriores, utilice un cable flexible o un cable de extensión flexible.**
 - Utilice únicamente los accesorios descritos en este manual de instrucciones y en el catálogo de Makita. El uso de cualquier otro accesorio puede resultar en un accidente o lesión.
 12. **Manténgase alerta, observe lo que está haciendo y utilice el sentido común cuando opere una herramienta eléctrica.**
 - No utilice herramientas eléctricas cuando esté cansado o bajo la influencia de drogas, alcohol o medicamentos. Un momento de distracción mientras opera herramientas eléctricas puede resultar en lesiones personales graves.
 13. **Verifique si hay partes dañadas antes de operar.**
 - Verifique las cubiertas de seguridad y otras partes que puedan afectar el funcionamiento de la herramienta por una rotura o daño. Si está dañada, reemplácela o repárela antes de utilizarla.
 - Verifique si hay partes móviles desalineadas o dobladas, rotura de partes y cualquier otra condición que pueda afectar la operación de la herramienta eléctrica. Si está dañada, haga que se repare la herramienta eléctrica antes de utilizarla. Muchos accidentes son causados por herramientas eléctricas que no reciben el mantenimiento adecuado.
 - No utilice cables de extensión dañados. Si está dañado, reemplácelo antes de utilizarlo. El uso de cables de extensión dañados incrementa el riesgo de una descarga eléctrica o un cortocircuito que puede provocar un incendio.
 - No utilice el cargador si el cable de alimentación o el enchufe está dañado o si no funciona correctamente por una caída o por cualquier otra razón. Un cargador dañado incrementará el riesgo de una descarga eléctrica o un cortocircuito que puede provocar un incendio.
 - No utilice una herramienta eléctrica si el interruptor no la enciende y apaga. Cualquier herramienta eléctrica que no pueda ser controlada con el interruptor es peligrosa y debe ser reemplazada.
 - Siga las instrucciones para la lubricación y el cambio de accesorios.
 - Desconecte la batería de la herramienta eléctrica antes de hacer cualquier ajuste o cambiar accesorios. Dichas medidas de seguridad preventivas reducen el riesgo de que la herramienta se inicie accidentalmente.
 14. **Haga que una persona de reparación calificada le realice el servicio a su herramienta eléctrica utilizando sólo partes de repuesto idénticas. Esto garantizará que se mantenga la seguridad de la herramienta eléctrica.**
 - No desarme ni modifique la batería y el cargador.
 - Esta herramienta eléctrica está diseñada en conformidad con regulaciones de seguridad. No modifique las herramientas eléctricas.

Realice el servicio de su herramienta eléctrica si se sobrecalienta o si observa cualquier otro síntoma inusual.

Permita que una persona no calificada repare la herramienta, ya que esto puede comprometer la seguridad de la herramienta y provocar accidentes y lesiones personales.

15. **No utilice las herramientas eléctricas en atmósferas explosivas, tal como en la presencia de líquidos, gases o polvo inflamables.** Las herramientas eléctricas crean chispas que pueden prender fuego al polvo o los humos.

Seguridad eléctrica

1. **Las clavijas de conexión de las herramientas eléctricas deberán encajar perfectamente en la toma de corriente. No modifique nunca la clavija de conexión de ninguna forma. No utilice ninguna clavija adaptadora con herramientas eléctricas que tengan conexión a tierra (puesta a tierra).** La utilización de clavijas no modificadas y que encajen perfectamente en la toma de corriente reducirá el riesgo de que se produzca una descarga eléctrica.
2. **Evite tocar con el cuerpo superficies conectadas a tierra o puestas a tierra tales como tubos, radiadores, cocinas y refrigeradores.** Si su cuerpo es puesto a tierra o conectado a tierra existirá un mayor riesgo de que sufra una descarga eléctrica.
3. **No exponga las herramientas eléctricas a la lluvia ni a condiciones húmedas.** La entrada de agua en una herramienta eléctrica aumentará el riesgo de que se produzca una descarga eléctrica.
4. **No maltrate el cable. Nunca utilice el cable para transportar, jalar o desconectar la herramienta eléctrica.**

Mantenga el cable alejado del calor, aceite, objetos cortantes o piezas móviles. Los cables dañados o enredados aumentan el riesgo de sufrir una descarga eléctrica.

5. **Cuando utilice una herramienta eléctrica en exteriores, utilice un cable de extensión apropiado para uso en exteriores.** La utilización de un cable apropiado para uso en exteriores reducirá el riesgo de que se produzca una descarga eléctrica.
6. **Si no es posible evitar usar una herramienta eléctrica en condiciones húmedas, utilice un alimentador protegido con interruptor de circuito de falla a tierra (ICFT).** El uso de un ICFT reduce el riesgo de descarga eléctrica.

Seguridad personal

1. **Use equipo de protección personal. Póngase siempre protección para los ojos.** El equipo protector tal como máscara contra el polvo, zapatos de seguridad antiderrapantes, casco rígido y protección para oídos utilizado en las condiciones apropiadas reducirá el riesgo de lesiones.
2. **Si dispone de dispositivos para la conexión de equipos de extracción y recolección de polvo, asegúrese de conectarlos y utilizarlos debidamente.** Hacer uso de la recolección de polvo puede reducir los riesgos relacionados con el polvo.

Mantenimiento y uso de la herramienta eléctrica

1. **No fuerce la herramienta eléctrica. Utilice la herramienta eléctrica correcta para su aplicación.** La herramienta eléctrica adecuada hará un mejor trabajo y de forma más segura a la velocidad para la que ha sido fabricada.
2. **No utilice la herramienta eléctrica si el interruptor no la enciende y apaga.** Cualquier herramienta eléctrica que no pueda ser controlada con el interruptor es peligrosa y debe ser reemplazada.
3. **Desconecte la clavija de la fuente de energía y/o la batería de la herramienta eléctrica antes de realizar ajustes, cambiar accesorios o guardar las herramientas eléctricas.** Dichas medidas de seguridad preventivas reducen el riesgo de que la herramienta se inicie accidentalmente.
4. **Utilice la herramienta eléctrica, los accesorios y las brocas de acuerdo con estas instrucciones, considerando las condiciones laborales y el trabajo a realizar.** Si utiliza la herramienta eléctrica para realizar operaciones distintas de las indicadas, podrá presentarse una situación peligrosa.

Uso y cuidado de la herramienta a batería

1. **Recargue sólo con el cargador especificado por el fabricante.** Un cargador que es adecuado para un solo tipo de batería puede generar riesgo de incendio al ser utilizado con otra batería.
2. **Utilice las herramientas eléctricas solamente con las baterías designadas específicamente para ellas.** La utilización de cualquier otra batería puede crear un riesgo de lesiones o incendio.
3. **Cuando no se esté usando la batería, manténgala alejada de otros objetos metálicos, como sujetapapeles (clips), monedas, llaves, clavos, tornillos u otros objetos pequeños de metal los cuales pueden actuar creando una conexión entre las terminales de la batería.** Originar un cortocircuito en las terminales puede causar quemaduras o incendios.
4. **En condiciones abusivas, podrá escapar líquido de la batería; evite tocarlo. Si lo toca accidentalmente, enjuague con agua. Si hay contacto del líquido con los ojos, busque asistencia médica.** Puede que el líquido expulsado de la batería cause irritación o quemaduras.

PRECAUCIÓN

1. **Sostenga la herramienta de manera segura mientras esté en uso.**

Si la herramienta no es sostenida de manera segura, puede sufrir lesiones.
2. **Mantenga sus manos y rostro alejados de las partes móviles.**

Pueden causar una lesión.
3. **Libere el interruptor inmediatamente para detener la operación cuando la herramienta no esté en funcionamiento o genere sonidos anormales durante su uso.**

Haga que sea inspeccionada y reparada por un centro de servicio autorizado.

- No hacerlo puede resultar en un accidente o lesiones.
- 4. **Si se le cae la herramienta o la golpea, verifique cuidadosamente que no esté dañada, rota ni deformada.**
 - Cualquiera de estos daños puede causar lesiones.
- 5. **Evite cortocircuitar la batería. Un cortocircuito en la batería puede causar un flujo grande de corriente, sobrecalentamiento, posibles quemaduras e incluso una descompostura.**
 - No toque las terminales con ningún material conductor.
 - Evite guardar la batería en un cajón junto con otros objetos metálicos, tales como clavos, monedas, etc.
 - No exponga la batería al agua o la lluvia.
 - No corte el cable.
- 6. No opere la herramienta ni cargue la batería en atmósferas explosivas, como en la presencia de laca, pintura, bencina, diluyente, gasolina, gases o adhesivos. Esto puede provocar una explosión o un incendio.
- 7. No cargue la batería sobre papel, cartón, tela, cojines, tapetes, alfombras, vinilo o en la presencia de polvo. Esto puede provocar un incendio.
- 8. No exponga el cargador al agua ni a partes de metal que puedan provocar un cortocircuito en las terminales de carga.
- 9. No utilice el cargador para ningún propósito que no sea cargar la batería.
- 10. Asegúrese de que los discos de la sierra no estén astillados ni tengan grietas antes de utilizar la herramienta.
- 11. No utilice agua ni lubricante para cuchillas al cortar.
- 12. Utilice sólo sierras de punta originales de Makita.
- 13. No deje la herramienta en el piso con el interruptor activado. La herramienta funcionará continuamente y puede causar lesiones personales.
- 14. No opere la herramienta cerca de artículos inflamables y frágiles o del personal que no sea necesario para la operación. Durante el corte, se producirán escombros calientes y chispas que serán expulsados desde la herramienta, los cuales pueden provocar daños a los alrededores, un incendio o lesiones personales.
- 15. No corte concreto. Esto causa daños a la herramienta y puede resultar en lesiones personales.
- 16. Verifique la presencia de personas en el suelo cuando opere en un lugar elevado. Si se cae cualquier material o herramienta, puede ocurrir un accidente.
- 17. Si durante la carga se produce una cantidad anormal de calor, detenga la carga inmediatamente al desconectar la batería. Continuar con la carga puede generar humo o provocar un incendio o una explosión.
- 18. No permita que nada cubra ni obstruya la ventilación del motor.
Esto puede causar que el motor se sobrecaliente.

- 19. Al utilizar un cable de extensión con el cargador, se recomienda que utilice un cable con la sección de cruz debajo y con una longitud tan corta como sea posible. Para cargar en el exterior, utilice un cable adecuado para exteriores.

Relación entre el grosor y la longitud máxima del cable utilizable

Tamaño del cable (Área seccional de cruz nominal del conductor)	Longitud máxima del cable
0.75 mm ²	20 m
1.25 mm ²	30 m

ADVERTENCIA PARA EL USO DE UNA SIERRA DE PUNTA

Seguridad en el área de trabajo

1. Asegúrese de que la bolsa recolectora de polvo esté fijada correctamente. Sin la bolsa recolectora de polvo, cuando se dañen los discos de la sierra, las piezas de los discos vuelan y pueden provocar lesiones personales graves.
2. Mantenga a los espectadores alejados del lugar de operación. Incluso con la bolsa recolectora de polvo instalada, pueden volar partes de los discos dañados o escombros calientes fuera de la bolsa, lo que puede provocar lesiones personales graves.
3. Pueden producirse chispas al cortar con discos de sierra de punta. No utilice la herramienta cuando exista un riesgo de incendio o explosión.
4. Cortar con discos de sierra de punta es ruidoso. Considere el entorno del área de trabajo.

Vestimenta y equipo de protección

5. Utilice equipo de protección: lentes de seguridad, zapatos de seguridad, máscara contra el polvo y casco. Incluso con la bolsa recolectora de polvo instalada, pueden volar partes de los discos dañados o escombros calientes fuera de la cubierta, lo que puede provocar lesiones personales.
6. Utilice la ropa adecuada. No utilice corbata, ropa holgada ni guantes tejidos. Mantenga su cabello cubierto con una gorra para mantenerlo alejado de los discos giratorios.

Antes de usar

7. Asegúrese de que los discos de sierra de punta no tengan deformidades, astillas, grietas ni desgaste. No utilice una sierra de punta si se encuentra cualquier daño o desgaste. Cortar bajo dichas condiciones puede causar más daño a los discos y lesiones personales graves.

8. No utilice la sierra de punta para ninguna aplicación que no sea aquella determinada en las especificaciones de la herramienta. Utilizar la sierra de punta para otras aplicaciones puede causar un desgaste excesivo, la separación de los discos, un bajo rendimiento de corte y la generación anormal de calor, lo que puede resultar en un daño a los discos y lesiones personales graves.

Reemplazo de la sierra de punta

9. Al reemplazar la sierra de punta, asegúrese de que la batería ha sido removida de la herramienta para evitar la operación accidental y lesiones personales.
10. Asegúrese de que no hay nadie alrededor antes de la operación y que no se producen sonidos ni vibraciones anormales durante la operación. Operar con sonidos o vibraciones anormales puede dañar los discos, resultando en lesiones personales graves.

Durante la operación

11. No utilice la sierra de punta para ningún propósito que no sea cortar. No sujete los discos a daño ni estrés. Esto puede romper los discos, resultando en lesiones personales graves.
12. Sostenga el material firmemente, en un torno o algo similar, de manera que no se pueda mover durante el corte. Si el material se mueve, la operación se vuelve inestable y no puede ser controlada, lo que puede resultar en daños a los discos y en lesiones personales graves.
13. Comience a cortar únicamente después de que la sierra de punta haya alcanzado su máxima velocidad. Si la sierra de punta se coloca sobre el material antes de que el motor arranque, los discos se sobrecargarán y sufrirán un daño, lo que puede resultar en lesiones personales graves.
14. No haga cortes en zigzag, curvos, diagonales ni use el costado del disco como palanca o para ningún otro propósito.
15. Si durante el corte nota algún ruido o vibración anormal o si las piezas de corte están demasiado deterioradas, detenga la operación. Continuar con la operación bajo dichas condiciones dañará los discos de sierra de punta, lo que puede provocar la expulsión de astillas y causar lesiones personales graves.
16. La operación continua hace que se calienten los discos de sierra de punta y reduce el rendimiento de corte.

Mantenimiento

17. Si hay una deformación, grieta o daño en la sierra de punta, detenga la operación. Continuar con la operación bajo dichas condiciones dañará aún más la sierra de punta, y puede romperse. Las partes rotas expulsadas pueden causar lesiones personales graves.
18. Sólo conserve y use sierras de punta que estén en buenas condiciones y discos afilados y limpios.

⚠ADVERTENCIA: Siempre utilice equipo de protección: lentes de seguridad, zapatos de seguridad, máscara contra el polvo y casco.

⚠ADVERTENCIA: Utilice sólo sierras de punta proporcionadas por Makita. Utilizar partes que no sean de Makita puede provocar un daño en la herramienta y resultar en accidentes o lesiones graves.

Instrucciones importantes de seguridad para el cartucho de batería

1. Antes de utilizar el cartucho de batería, lea todas las instrucciones e indicaciones de precaución en el (1) el cargador de batería, (2) la batería, y (3) el producto con el que se utiliza la batería.
2. No desarme el cartucho de batería.
3. Si el tiempo de operación se ha acortado en exceso, deje de operar de inmediato. Podría correrse el riesgo de sobrecalentamiento, posibles quemaduras e incluso explosión.
4. En caso de que ingresen electrolitos en sus ojos, enjuáguelos bien con agua limpia y consulte de inmediato a un médico. Esto podría ocasionar pérdida de visión.
5. Evite cortocircuitar el cartucho de batería:
 - (1) No toque las terminales con ningún material conductor.
 - (2) Evite guardar el cartucho de batería en un cajón junto con otros objetos metálicos, tales como clavos, monedas, etc.
 - (3) No exponga el cartucho de batería al agua o la lluvia.

Un cortocircuito en la batería puede causar un flujo grande de corriente, sobrecalentamiento, posibles quemaduras e incluso una descompostura.

6. No guarde la herramienta ni el cartucho de batería en lugares donde la temperatura pueda alcanzar o exceder los 50 °C (122 °F).
7. Nunca incinere el cartucho de batería incluso en el caso de que esté dañado seriamente o ya no sirva en absoluto. El cartucho de batería puede explotar si se tira al fuego.
8. Tenga cuidado de no dejar caer ni golpear la batería.
9. No use una batería dañada.
10. Las baterías de ión de litio están sujetas a los requisitos reglamentarios en materia de bienes peligrosos.

Para el transporte comercial, por ej., mediante terceros o agentes de transporte, se deben tomar en cuenta los requisitos especiales relativos al empaque y el etiquetado.

Para efectuar los preparativos del artículo que se va a enviar, se requiere consultar a un experto en materiales peligrosos.

Si es posible, consulte además otras regulaciones nacionales más detalladas.

Pegue o cubra con cinta adhesiva los contactos abiertos y empaque la batería de manera que ésta no pueda moverse dentro del paquete.

11. **Siga las regulaciones locales relacionadas al desecho de las baterías.**

GUARDE ESTAS INSTRUCCIONES.

⚠PRECAUCIÓN: Utilice únicamente baterías originales de Makita. El uso de baterías no originales de Makita, o de baterías alteradas, puede ocasionar que las baterías exploten causando un incendio, lesiones personales y daños. Asimismo, esto invalidará la garantía de Makita para la herramienta y el cargador Makita.

Consejos para alargar al máximo la vida útil de la batería

1. **Cargue el cartucho de batería antes de que se descargue completamente. Pare siempre la operación y cargue el cartucho de batería cuando note menos potencia en la herramienta.**
2. **No cargue nunca un cartucho de batería que esté completamente cargado. La sobrecarga acortará la vida de servicio de la batería.**
3. **Cargue el cartucho de batería a una temperatura ambiente de 10 °C - 40 °C (50 °F - 104 °F). Si un cartucho de batería está caliente, déjelo enfriar antes de cargarlo.**
4. **Cargue el cartucho de batería si no va a utilizarlo durante un período prolongado (más de seis meses).**

NOMBRES DE LAS PIEZAS

- Fig. 1: 1. Batería 2. Motor 3. Sujetador de bolsa recolectora de polvo 4. Salida 5. Guía 6. Sierra de punta 7. Manija 8. Botón de bloqueo 9. Interruptor

Instalación o extracción del cartucho de batería

⚠PRECAUCIÓN: Asegúrese siempre de que la herramienta esté apagada y el cartucho de batería haya sido extraído antes de realizar cualquier ajuste o comprobación en la herramienta.

⚠PRECAUCIÓN: Apague siempre la herramienta antes de colocar o quitar el cartucho de batería.

⚠PRECAUCIÓN: Sujete la herramienta y el cartucho de la batería con firmeza al colocar o quitar el cartucho de batería. Si no se sujeta con firmeza la herramienta y el cartucho de batería, puede ocasionar que se resbalen de sus manos causando daños a la herramienta y al cartucho de batería, así como lesiones a la persona.

- Fig. 2: 1. Botón 2. Indicador rojo 3. Cartucho de batería

Para quitar el cartucho de batería, deslícelo de la herramienta mientras desliza el botón sobre la parte delantera del cartucho.

Para colocar el cartucho de batería, alinee la lengüeta sobre el cartucho de batería con la ranura en la carcasa y deslice en su lugar. Inserte por completo hasta que se fije en su lugar con un pequeño clic. Si puede ver el indicador rojo del lado superior del botón, esto indica que no ha quedado fijo por completo.

⚠PRECAUCIÓN: Introduzca siempre completamente el cartucho de batería hasta que el indicador rojo no pueda verse. Si no, podría accidentalmente salirse de la herramienta y caer al suelo causando una lesión a usted o alguien a su alrededor.

⚠PRECAUCIÓN: No instale el cartucho de batería a la fuerza. Si el cartucho no se desliza al interior fácilmente, se debe a que no está siendo insertado correctamente.

Sistema de protección de la batería (batería de iones de litio con marca de estrella)

- Fig. 3: 1. Marca de estrella

Las baterías de iones de litio con una marca de estrella están equipadas con un sistema de protección. Este sistema automáticamente corta el suministro de energía de la herramienta para extender la vida de la batería. La herramienta se detendrá automáticamente durante la operación si la herramienta y/o la batería se colocan bajo una de las siguientes condiciones:

Sobrecargada:

La herramienta es operada de manera que se provoca que absorba una corriente anormalmente alta. En esta situación, libere el interruptor de gatillo de la herramienta y detenga la aplicación que provocó que la herramienta se sobrecargara. Después tire del interruptor de gatillo de nuevo para reiniciar la operación. Si la herramienta no arranca, entonces la batería se sobrecalentó. En esta situación, permita que la batería se enfríe antes de tirar del interruptor de gatillo nuevamente.

Voltaje de batería bajo:




















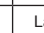

La capacidad restante de la batería es demasiado baja y la herramienta no funciona. En esta situación, remueva y recargue la batería.

Indicación de la capacidad restante de la batería

Únicamente para cartuchos de batería con el indicador

► Fig. 4: 1. Luces indicadoras 2. Botón de verificación

Oprima el botón de verificación en el cartucho de la batería para que indique la capacidad restante de la batería. Las luces indicadoras se iluminarán por algunos segundos.

Luces indicadoras			Capacidad restante
Iluminadas	Apagadas	Parpadeando	
			75% a 100%
			50% a 75%
			25% a 50%
			0% a 25%
			Cargar la batería.
 	 	 	La batería pudo haber funcionado mal.

NOTA: Dependiendo de las condiciones de uso y la temperatura ambiente, la indicación podrá diferir ligeramente de la capacidad real.

PROCEDIMIENTO DE OPERACIÓN

⚠ADVERTENCIA: Antes de que la batería sea insertada en la herramienta, asegúrese de que el interruptor está en la posición "O" y que está desactivado.

⚠PRECAUCIÓN: Presione el botón de bloqueo y asegúrese de que el botón sube cuando es liberado. Si el botón de bloqueo no sube cuando es liberado, se evitará que la sierra de punta gire cuando la herramienta está en operación, lo que resulta en un daño a las piezas y el motor se quema.

⚠PRECAUCIÓN: Deslice el interruptor a la posición "I" y asegúrese de que se mantenga ahí y no se mueva. Después empuje hacia abajo la parte trasera del interruptor para asegurarse de que se mueva hacia la posición "O" automáticamente.

⚠PRECAUCIÓN: Asegúrese de que los pernos que sostienen la cubierta de la sierra de punta y el resto de los pernos estén firmemente apretados.

► Fig. 5: 1. Posición de la manija (paralela/lado izquierdo) 2. Botón de bloqueo 3. Posición de la manija (paralela/lado derecho) 4. Interruptor 5. Posición de la manija (vertical/lado superior)

Operación

► Fig. 6: 1. Guía 2. Varilla

► Fig. 7: 1. Varilla 2. Guía

1. Atornille la manija en el orificio con rosca en la posición vertical o paralela para facilitar la operación.
2. Asegúrese de que el interruptor está en la posición "O".

⚠PRECAUCIÓN: Como una función de seguridad de esta herramienta, el motor no puede ser energizado cuando la batería es insertada con el interruptor en la posición "I". Para mayor seguridad, tenga en cuenta que la batería debe ser insertada con el interruptor en la posición "O".

3. Inserte la batería en la herramienta.
4. Deslice el interruptor a la posición "I". El motor es encendido. Después empuje hacia abajo en el extremo delantero del interruptor para bloquearlo para la operación continua.

⚠ADVERTENCIA: No toque las partes giratorias, ya que pueden causar lesiones graves.

5. Posicione la guía en la abertura sobre la varilla. Después empuje la herramienta hacia adelante lentamente para empezar a cortar la varilla.

⚠️PRECAUCIÓN: Al cortar, tanto al principio como cuando se acerque al final, haga más lento el movimiento hacia adelante (de corte) de la herramienta. En estos momentos, una acción de corte rápida dañará los discos de la sierra de punta y puede causar lesiones por los escombros que vuelan.

⚠️PRECAUCIÓN: Sostenga firmemente la herramienta para que no se sacuda mientras corta. Cortar con la herramienta mientras se sacude acortará la vida de la sierra de punta y dañará los discos.

⚠️PRECAUCIÓN: Posicione la herramienta de manera que esté a 90 grados de la varilla que será cortada. Si la herramienta no está a 90 grados de la varilla, puede provocar que se sacuda y sobrecargar la herramienta.

⚠️PRECAUCIÓN: No comience a cortar inmediatamente después de que el motor es encendido. Permita que la sierra de punta alcance su máxima velocidad antes de comenzar a cortar.

⚠️PRECAUCIÓN: No remueva la batería cuando el motor esté encendido. Hacerlo puede causar daños en las partes eléctricas del motor.

6. Después de finalizar el corte, empujar hacia abajo la parte trasera del interruptor causará que el interruptor se mueva a la posición "O" y apagará el motor.

⚠️PRECAUCIÓN: Esta herramienta está diseñada para cortar varilla. Contacte al fabricante o a su distribuidor local si desea cortar otros materiales. Cortar otros materiales dañará los discos de la sierra de punta.

Precaución al cortar

1. Asegúrese de que el disco de la sierra de punta está retirado del material a ser cortado antes de encender la herramienta.

2. Haga más lento el movimiento hacia adelante (de corte) de la herramienta cuando se acerque al final del corte. Esto es especialmente importante cuando la pieza a ser cortada tiene menos de 50 mm de longitud. La pieza cortada puede golpear los discos de la sierra de punta, dañándolos y causando lesiones graves.

3. Cuando los discos de la sierra de punta pierdan el filo o se astillen, reemplace los discos. Continuar utilizándolos en estas condiciones sobrecargará la herramienta.

4. Si el material se mueve o se agita mientras está siendo cortado, detenga la operación y asegúrelo adecuadamente.

5. No sostenga con la mano el material que será cortado. Hacerlo puede resultar en lesiones personales.

6. No corte varilla que exceda en tamaño o dureza la capacidad de corte de la herramienta.

Reemplace la sierra de punta cuando se presente cualquiera de las siguientes situaciones

1. La lámpara de advertencia (roja) parpadea frecuentemente, incluso si la batería está completamente cargada.
2. Los discos de la sierra de punta están astillados o desgastados.
3. La velocidad de corte es demasiado lenta.
4. La superficie de la pieza de corte pierde el color por el calor.

NOTA: Los discos de la sierra de punta no pueden volver a ser afilados.

Cómo instalar la bolsa recolectora de polvo

► Fig. 8: 1. Bolsa recolectora de polvo

1. Coloque el extremo abierto de la bolsa recolectora de polvo sobre el sujetador de la bolsa recolectora de polvo y asegúrela en su lugar con los cordones.
2. Dé a la bolsa un fuerte tirón para asegurarse de que está asegurada de manera adecuada.


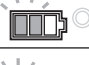

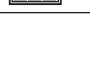
⚠️PRECAUCIÓN: La bolsa recolectora de polvo está hecha con material no inflamable, pero el escombros demasiado caliente, como el producido al cortar con un disco de sierra de punta desgastado, puede derretir el material. Debe estar consciente de esta posibilidad al utilizar la bolsa recolectora de polvo.

Función del indicador de la batería

► Fig. 9: 1. Indicador de la batería

Cuando enciende la herramienta, el indicador de la batería le muestra la capacidad de la batería restante. (vea la tabla 1)

Tabla 1



Estado del indicador de la batería	Capacidad de la batería restante
■:Encendida □:Apagadas ◻:Parpadeando	
	50%-100%
	20%-50%
	0%-20%
	Cargar la batería

Función de cambio automático de velocidad

► Fig. 10: 1. Indicador del modo

La herramienta tiene un 'modo de velocidad alta' y un 'modo de torque alto'. Seleccionará el modo de operación automáticamente, de acuerdo con la carga de trabajo. Cuando el indicador del modo se enciende durante la operación, la herramienta esté en el modo de torque alto. (vea la tabla 2)

Tabla 2

Estado del indicador del modo	Modo de operación
	Modo de velocidad alta
	Modo de torque alto

Función de protección de la herramienta/batería

La herramienta se detendrá automáticamente durante la operación si la herramienta o la batería es colocada bajo una de las siguientes condiciones:

- La herramienta es sobrecargada
- La herramienta se sobrecalienta
- La capacidad de la batería no es suficiente

Si la herramienta es operada reiteradamente bajo estas condiciones, el sistema de protección bloqueará la herramienta.


Protección de sobrecarga

Si la herramienta es sobrecargada durante el corte, se detendrá automáticamente. En esta situación, apague la herramienta, remueva la causa de la sobrecarga y después vuelva a encender la herramienta.

Bloqueo de protección

Cuando el sistema de protección funciona reiteradamente, la herramienta se bloquea y el indicador de la batería muestra el estado como en la tabla 3.

Tabla 3


Indicador de la batería	■:Encendida □:Apagadas □:Parpadeando
	Funcionamiento del bloqueo de protección

Protección de sobrecalentamiento para la herramienta

Cuando la herramienta se sobrecalienta, se detiene automáticamente y el indicador de la batería muestra el estado como en la tabla 4.

En esta situación, permita que la herramienta se enfríe antes de encenderla de nuevo.

Tabla 4

Indicador de la batería	■:Encendida □:Apagadas □:Parpadeando
	La herramienta se sobrecalienta

Protección en caso de sobredescarga

Cuando la capacidad de la batería no es suficiente, la herramienta se detiene automáticamente. En este caso, retire la batería de la herramienta y cárguela.

PROCEDIMIENTO DE REEMPLAZO DE LA SIERRA DE PUNTA

▲ADVERTENCIA: Apague la herramienta y remueva la batería antes de reemplazar el disco para evitar una operación accidental que puede resultar en lesiones personales graves.

► Fig. 11: 1. Cubierta de la sierra de punta 2. Perno 3. Rondana 4. Guía de la sierra de punta 5. Sierra de punta 6. Pin 7. Orificio 8. Perno de retención de la cubierta de la sierra de punta

Cómo remover la sierra de punta

Remover la sierra de punta

► Fig. 12: 1. Empujar (botón de bloqueo)

1. Remueva los pernos de retención de la cubierta de la sierra de punta (4 piezas) con una llave hexagonal.
2. Remueva la cubierta de la sierra de punta.
3. Inserte la llave hexagonal en el perno que retiene la guía de la sierra de punta.
4. Empuje el botón de bloqueo y, utilizando la llave hexagonal como una palanca, gire el disco de la sierra de punta hasta que el botón de bloqueo ya no le permita girar.

▲PRECAUCIÓN: Asegúrese de que el botón de bloqueo sea empujado por completo. De lo contrario, la llave hexagonal puede girar y causar lesiones personales.

5. Con la sierra de punta bloqueada, gire la llave hexagonal en contra del sentido de las manecillas del reloj para aflojar y remover el perno y la rondana.
6. Remueva la guía de la sierra de punta y la sierra de punta.

Cómo reemplazar la sierra de punta

⚠PRECAUCIÓN: Utilice sólo sierras de punta proporcionadas por Makita. Si reutiliza una sierra de punta, asegúrese de que no está desgastada, astillada o dañada.

⚠PRECAUCIÓN: Utilice solo una sierra de punta con tres orificios que encajen en los pines en el eje de salida de la herramienta. No se puede utilizar otro tipo de sierra.

⚠PRECAUCIÓN: Instale una sierra de punta en la dirección correcta. Si la dirección es incorrecta, los tres pines no encajarán en los orificios adecuadamente.

⚠PRECAUCIÓN: Limpie y remueva todo el escombros y la suciedad de la sierra de punta y de las piezas. El escombros y la suciedad pueden desbalancear la sierra de punta, provocando que se tambalee durante el corte.

Reemplazar la sierra de punta

► Fig. 13: 1. Empujar (botón de bloqueo)

1. Ajuste la sierra de punta sobre el eje de salida. Asegúrese de que los tres pines del eje de salida encajen en los orificios de la sierra de punta.
2. Reemplace la guía de la sierra de punta.
3. Reemplace el perno y la rondana.
4. Empuje el botón de bloqueo completamente para evitar que la sierra de punta gire y apriete el perno con la llave hexagonal.

⚠PRECAUCIÓN: Asegúrese de que el botón de bloqueo sea empujado por completo. De lo contrario, la llave hexagonal puede girar y causar lesiones personales.

5. Reemplace la cubierta de la sierra de punta.
6. Apriete los pernos de retención de la cubierta de la sierra de punta (4 piezas) con una llave hexagonal.

MANTENIMIENTO

⚠PRECAUCIÓN: Siempre asegúrese de que la herramienta esté apagada y que la batería haya sido removida antes de intentar realizar una inspección o mantenimiento.

AVISO: Nunca use gasolina, bencina, diluyente (tíner), alcohol o sustancias similares. Puede que esto ocasione grietas o descoloramiento.

► Fig. 14: 1. Cubierta para el polvo

Remueva la cubierta para el polvo de la ventilación de aire y límpiela para lograr una circulación del aire adecuada.

⚠PRECAUCIÓN: Limpie la cubierta para el polvo cuando se obstruya. Continuar operando la herramienta con la cubierta para el polvo obstruida puede dañar la herramienta.

GARANTÍA LIMITADA DE MAKITA

Ésta Garantía no aplica para México

Consulte la hoja de la garantía anexa para ver los términos más vigentes de la garantía aplicable a este producto. En caso de no disponer de esta hoja de garantía anexa, consulte los detalles sobre la garantía descritos en el sitio web de su país respectivo indicado a continuación.

Estados Unidos de América: www.makitatools.com

Canadá: www.makita.ca

Otros países: www.makita.com

< USA only >

WARNING

Some dust created by power sanding, sawing, grinding, drilling, and other construction activities contains chemicals known to the State of California to cause cancer, birth defects or other reproductive harm. Some examples of these chemicals are:

- lead from lead-based paints,
- crystalline silica from bricks and cement and other masonry products, and
- arsenic and chromium from chemically-treated lumber.

Your risk from these exposures varies, depending on how often you do this type of work. To reduce your exposure to these chemicals: work in a well ventilated area, and work with approved safety equipment, such as those dust masks that are specially designed to filter out microscopic particles.

< Sólo en los Estados Unidos >

ADVERTENCIA

Algunos polvos creados por el lijado, aserrado, esmerilado, taladrado y otras actividades de la construcción contienen sustancias químicas reconocidas por el Estado de California como causantes de cáncer, defectos de nacimiento y otros peligros de reproducción. Algunos ejemplos de estos productos químicos son:

- plomo de pinturas a base de plomo,
- sílice cristalino de ladrillos y cemento y otros productos de albañilería, y
- arsénico y cromo de maderas tratadas químicamente.

El riesgo al que se expone varía, dependiendo de la frecuencia con la que realice este tipo de trabajo. Para reducir la exposición a estos productos químicos: trabaje en un área bien ventilada y póngase el equipo de seguridad indicado, tal como las máscaras contra polvo que están especialmente diseñadas para filtrar partículas microscópicas.

Makita Corporation

3-11-8, Sumiyoshi-cho,
Anjo, Aichi 446-8502 Japan

www.makita.com

DSC251-NA3-1806
EN, FRCA, ESMX
20161101